



Thermal Inkjet

# Wolke m610<sup>®</sup> touch

The Wolke m610 touch inkjet printer offers an unparalleled combination of functionality and simplicity in one printer.

Designed to address the needs of both Life Science and industrial users, the Wolke m610 touch thermal inkjet (TIJ) printer is the ideal coding and marking solution for a range of applications, from serialisation to simple date and lot coding. The m610 touch helps customers improve their productivity, quality and efficiency targets with features such as: automatic cartridge setup, temperature control and portable ink level tracking. From basic alphanumeric codes to complex bar codes and graphics, the m610 touch has the capability to print a wide range of codes on fast production lines.



## Uptime Advantage

- Advanced communications protocol for remote operation and high speed serialisation
- Solid state electronics with no moving parts
- No wear items or replacement parts outside of inkjet cartridge replacement
- Temperature control and portable ink level tracking\*

## Built in Productivity

- High resolution print (up to 600 dpi) suitable for machine vision inspection
- Wide range of bar codes including DataMatrix and stacked symbologies
- Can drive up to four printheads independently or together

## Code Assurance

- Template creation software with rules-based message fields
- Colour touch screen with WYSIWYG image display reduces set-up errors
- Selectable ink type setting helps ensure the right ink is being used\*
- Optional USB scanner for message selection

## Simple Usability

- Webserver functionality and four printhead designs to aid line and machine integration
- Intuitive, graphical user interface with easy to learn icon-based controls
- Automatic cartridge recognition and set up\*
- Clean, no-mess operation

\* Feature available when using authentic Videojet TIJ ink cartridges

# Wolke m610<sup>®</sup> touch

## Thermal Inkjet

### Line Speed / Resolution Capability

Maximum resolution of 600x600 dpi  
5-360fpm (1.5-109mpm) at 600x240 dpi  
*Higher line speeds are possible at lower horizontal print resolutions*

### Printing Capabilities

Full downloadable font support using TrueType<sup>®</sup> fonts  
Fixed, variable and merged text fields  
Flexible date/time and shift code formats  
Auto best before date calculations  
Auto incrementing/decrementing text and counters  
Multiple graphic formats supported (up to maximum print area)

### Bar Codes

EAN8, EAN13, UPC-A/E, CODE 39, CODE128, EAN128, GS1 DataBar (including 2D composite), DataMatrix, QR, PDF417

### Print Cartridge

Maximum of four 12.7mm tall, 600 dpi print cartridges (stacked/stitched or deployed independently)  
Features available with authentic Videojet TIJ ink cartridges: auto cartridge recognition and parameter set up, ink batch/lot number tracking; portable ink level tracking and enhanced print speeds

### Display

8.4-inch TFT SVGA (800x800) full-colour LCD and touch screen  
WYSIWYG print preview  
Full on-board diagnostics  
Three levels of password protection or advanced configurable password protection  
Extensive language support (22 in total)

### Data Interface

RS232, Ethernet, USB memory stick support, Text Communications Protocols

### Controller Dimensions

9.6" (244mm) long  
3.6" (92mm) wide  
6.7" (170mm) high  
*Dimensions exclude printhead, accessory cables and power supply connections*

### Printhead Dimensions

Four printhead options are available with different dimensions to meet line integration requirements. The following dimensions are for the Standard Blue printhead:  
4.5" (115 mm) long  
4.3" (110 mm) high  
2.4" (60 mm) wide (at rub plate)  
*Dimensions exclude cartridge and cable connections*  
*Red, Green, and Gold printhead dimensions vary in length and height from Blue printhead*

### Temperature Range

41°F to 113°F (5°C to 45°C)

### Electrical Requirements

100-240 VAC 50/60Hz

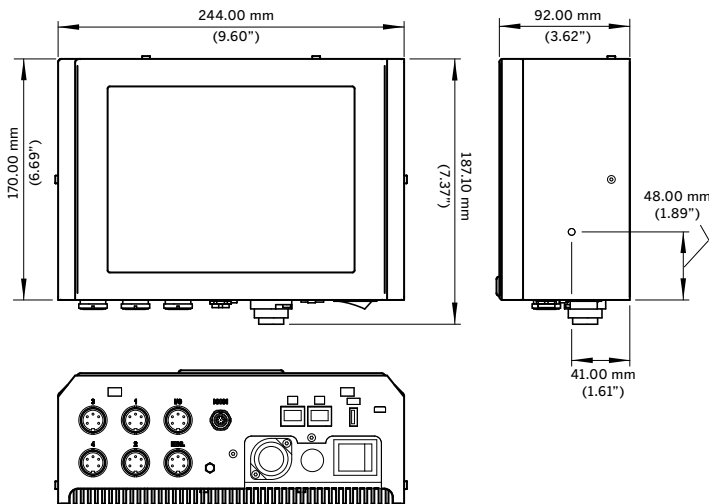
### Approximate Weight (Controller)

7.0lbs (3.2kgs)

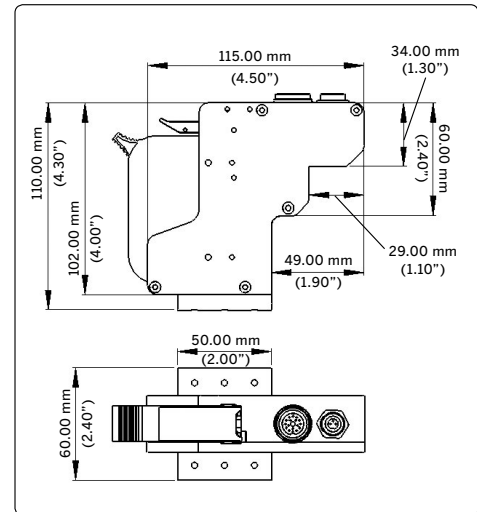
CERTIFIED  
ISO 9001  
DOCUMENTED QUALITY



Controller



Standard Blue Printhead



Call us free on **0800 500 3023**

Email **uksales@videojet.com**

or visit **www.videojet.co.uk**

Videojet Technologies Ltd.

4 & 5 Ermine Centre, Lancaster Way,

Huntingdon, Cambridgeshire PE29 6XX / UK

© 2018 Videojet Technologies Inc. — All rights reserved.

Videojet Technologies Inc.'s policy is one of continued product improvement. We reserve the right to alter design and/or specifications without notice. TrueType is a registered trademark of Apple Computer, Inc.

Part No. SL000654  
ss-m610-touch-en-0218



by **VIDEOJET**