

Large Character Inkjet

Videojet® Unicorn II

The Unicorn II is a compact inkjet printer that provides high quality, reliable and economical large character printing of one or two lines.

Whatever your needs, the Unicorn II printer can be programmed quickly and easily. Product names, identification numbers, automatic production counts and accurate-to-the-minute time code capabilities are available at the touch of a button. The Unicorn II is an economical cost per code printing solution that delivers up to two lines of text with built-in multiple language capability.



Uptime Advantage

- Customised time, date and count codes including best before/best by date which automatically update for minimal operator interaction
- Optional bulk ink supply further reduces consumable costs and extends time between ink replenishment for more efficient operation
- Universal voltage and built-in language selection for global use

Built-in productivity

- Store messages in the controller for instant recall to reduce time to complete line changeover
- Low acquisition cost to deliver on-demand case coding for nearly all simple applications
- Low consumable cost keeps per item coding cost low for profitable operations

Simple usability

- Quick and simple integration; out of the box and on the job in minutes
- Includes a standalone bracket, minimising hardware integration needs
- Built-in photocells detect production direction and speed for simple integration
- Menu-driven controller to create and edit messages

Videojet® Unicorn II

Large Character Inkjet

System includes

Controller/input device; printhead; universal power supply; mounting bracketry and a bottle of porous ink

Built-in software features

Customised time and date codes
Rollover hour
Expiration date for automatic printing
Shift organiser for automatic coding by particular shifts (up to 4 shifts)
Print delay for message placement
Character width adjustment
Variable speed or fixed speed printing
Consecutive incremental numbering

Operating languages

Dutch, English, Finnish, French, German, Italian, Portuguese, Spanish, Swedish, Norwegian, Turkish, Hungarian
Additional printable characters: Cyrillic, Arabic, Hebrew, Polish
Special application units include: Japanese, Korean, Simplified Chinese, Traditional Chinese, Thai

Print heights

Standard print height: 1.0inch (25mm)
Optional heights: 0.75inch (20mm), 1.25inches (32mm), 1.9inches (48mm)

Character fonts

7x5 dot matrix, 16x10 dot matrix

Conveyor line speed

20fpm (6.1mpm) to 200fpm (61.0mpm)

Message length

Up to 40 characters of 16 dot font or two 80 character rows of 7 dot font

Message storage capacity

Up to 40 messages

Operating temperature range

40°F to 120°F (4°C to 49°C)

Electrical

System uses a universal switching power supply
100/240VAC at 50/60Hz

Print sensor

Internal sensors included; external sensor is optional

Ink system

Internally regulated ink system; factory set, no adjustment necessary

Ink

8oz. (0.23liter) bladder pressurized, non-aerosol ink bottle
Optional bulk ink option (5gal.) available; ADS Ink System required
Videojet recommends the use of an ADS system to provide optimal print quality

Shipping weight

11.45lbs. (5.19kg)

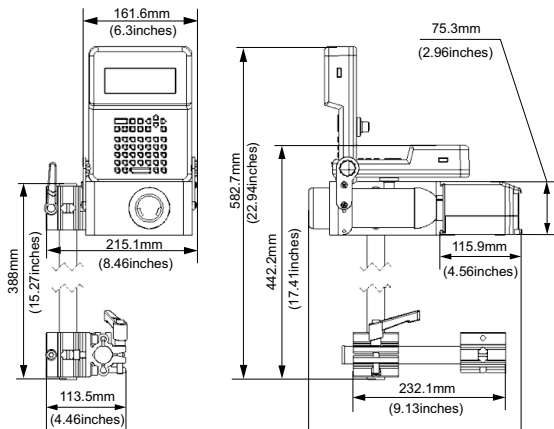
Mounting bracketry

15.0 and 9.0inch (38.9 and 22.8cm) tubing with 1.0inch (2.54cm) outside diameter (OD)
Optional hand levers can be installed for simple up/down and in/out adjustments

Optional bracketry for special installations

Long Reach Bracket Kit available for special mounting situations

Dimensions



CERTIFIED
ISO 9001
DOCUMENTED QUALITY



Call **0800 500 3023**

Email **uksales@videojet.com**

or visit **www.videojet.co.uk**

Videojet Technologies Ltd.
4 & 5 Ermine Centre, Lancaster Way, Huntingdon, Cam-
bridgeshire PE29 6XX / UK

© 2016 Videojet Technologies Inc. — All rights reserved.

Videojet Technologies Inc.'s policy is one of continued product improvement.
We reserve the right to alter design and/or specifications without notice.

Part No. SL000486
ss-unicorn-II-en-in-0216

