



Continuous Inkjet

1650 Ultra High Speed

Higher throughput targets, increasing regulatory and supply chain needs, and greater focus on operational efficiency all equate to increased demands on your production lines.

Superior speed in itself is worthless without high quality, accurate coding and high uptime. The Videojet 1650 UHS delivers against the demands on your production lines through a unique combination of design and advanced ink formulations. Combining the ultimate in print speed, the most innovative printhead technology, and the advanced CLARiTY™ interface, the Videojet 1650 UHS allows you to deliver more product with more code content – all while making sure the right code gets printed on the right product.



High quality coding at high speeds

- Videojet's Precision Ink Drop™ system provides precise character formation, even at the highest speeds and longer throw distances
- Dynamic Calibration™ adjusts jetting parameters automatically to ensure high quality print
- Superior technology enables you to add content without compromising speed
 - Single line max speed = 1666 ft/min (508m/min)
 - Dual line max speed = 694 ft/min (212m/min)
 - Tri-line max speed = 588 ft/min (179m/min).

Engineered for extended runs

The Videojet 1650 UHS gives you an uptime advantage via:

- CleanFlow™ technology resists ink buildup that can cause ordinary inkjet printers to shut down
- Long run time between preventive maintenance, up to 14,000 hour core life
- Internal pump means no external air, minimising potential for contaminants to enter ink stream
- Auto cleaning printhead for fast start-ups even after extended shutdowns.

Simple usability via an advanced user interface

- Productivity tools give you standard OEE metrics backed by actionable data
- Fool proof data entry helps you get the right code, in the right place, at the right time, virtually eliminating errors
- Large, responsive 10.4" touchscreen with intuitive navigation simplifies operation and makes key data easily visible.

Videojet 1650 Ultra High Speed

Continuous Inkjet

Line speed capability

Can print 1 to 3 lines of print at speeds of up to:
Single line max speed = 1666 ft/min (508m/min)
Dual line max speed = 694 ft/min (212m/min)
Tri-line max speed = 588 ft/min (179m/min)
(10 characters per inch, single line of print)

Font matrix configuration

Single-line: 4x5, 5x5, 4x7, 5x7, 7x9, 10x16
Twin-line: 4x5, 5x5, 4x7, 5x7, 7x9
Tri-line: 4x5, 5x5, 4x7, 5x7, 24 Drop Mixed Raster

Linear bar codes*

UPC A&E; EAN 8 & 13; Code 128 A, B & C; UCC/EAN 128;
Code 39; Interleaved 2 of 5; 2D DataMatrix; GS1

DataMatrix codes*

Square Form up to 24x24; Rectangular Form up to 16x48

Nominal character height

Selectable from 0.079" to 0.472" (2mm to 12mm), depending on font

Throw distance

Optimal: 0.394" (10mm)
Range: 0.197" to 0.591" (5mm to 15mm)

User interface

10.4" high-response TFT-LCD touch screen
WYSIWYG touch to edit message editing

Custom logo/graphics

Can be created via optional CLARISOFT® software

Character sets

Chinese, Russian/Bulgarian, Turkish/Scandinavian, Greek, Arabic, Japanese/Kanji, Hebrew, Korean, East European and European/American

Languages and interface options

English, Arabic, Bulgarian, Czech, Danish, Dutch, Finnish, French, German, Greek, Hebrew, Hungarian, Italian, Japanese, Korean, Norwegian, Polish, Portuguese, Russian, Simple Chinese, Spanish, Swedish, Thai, Traditional Chinese, Turkish and Vietnamese

Data interface

RS232 and Ethernet (standard)
CLARISOFT/Clarinet® via ethernet
Message management via USB

Message storage

More than 250 complex messages

Environmental protection

IP65 standard; no plant air required; stainless steel cabinet

Printhead

Heated printhead
Positive air (standard)
Nozzle size: 50 micron
Diameter: 1.63" (41.3mm)
Length: 10.62" (269.8mm)

Printhead umbilical

Ultra flexible
Length: 9.84' (3m) optional 19.69' (6m)
Diameter: 0.83" (21mm)
Bend radius: 4.0" (101.6mm)

Make-up fluid consumption

As low as 2.4ml/hour

Fluids containers

Ink Smart Cartridge® 0.793 qt. (750ml)
Make-up smart cartridge 0.793 qt. (750ml)
Ink bulk system 5.28 qts. (5 liters)
Make-up bulk system 5.28 qts. (5 liters)

Temperature/humidity range

41°F to 113°F (5°C to 45°C)
0% to 90% RH non-condensing
With selected inks; actual installation may require additional hardware based on production environment conditions

Electrical requirements

Nominal supply power 100-120 / 200-240 VAC at 50/60Hz.,
120W peak maximum, 60W nominal

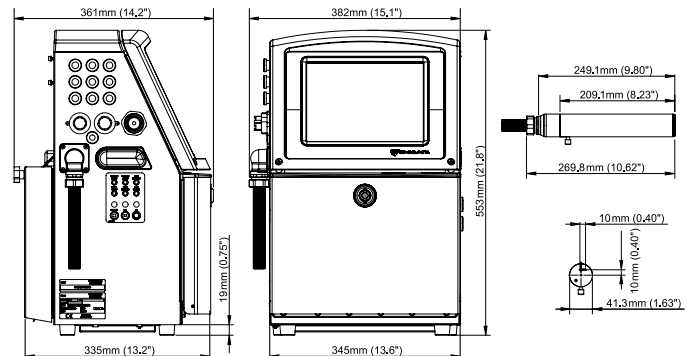
Approximate weight

Unpacked and dry: 48.5 lbs. (22kg)

Options

Dry air kit for high humidity (requires plant air)
Wide range of accessories

* CLARISOFT® Package Coding Design software required for bar codes and other advanced functionality.



Call us free on **0800 500 3023**
Email uksales@videojet.com
or visit www.videojet.co.uk

Videojet Technologies Ltd.
4 & 5 Ermine Centre, Huntingdon, Cambridgeshire PE29 6XX / UK

Call us free on **+353 1 450 2833**
Email irelandsales@videojet.com
or visit www.videojet.ie

Videojet Ireland
C2, South City Business Park, Tallaght, Dublin 24 / Ireland

© 2019 Videojet Technologies Inc. — All rights reserved.

Videojet Technologies Inc.'s policy is one of continued product improvement. We reserve the right to alter design and/or specifications without notice.

Part No. SL000523
ss-1650uhs-en-0919

