



Continuous Inkjet

# Videojet® 1620

The Videojet 1620 is engineered to deliver superior uptime in high speed applications for greater productivity.

The Videojet 1620 Continuous Inkjet printer is designed for more demanding applications including high speed applications and around-the-clock operation. Patented CleanFlow™ and Dynamic Calibration™ technologies allow for longer runs without intervention. The 1620 is the standard for high throughput coding applications in production environments around the world.



## Uptime Advantage

- CleanFlow™ technology resists ink buildup that can cause ordinary inkjet printers to shut down
- Long run time between preventive maintenance; up to 14,000 hour core life
- Internal pump means no external air, minimising potential for contaminants to enter ink stream
- Auto cleaning printhead for fast start-ups, even after extended shutdowns

## Built-in productivity

- Dynamic Calibration™ adjusts jetting parameters automatically to help ensure high quality print
- Print 1 to 5 lines of print for a range of coding needs
- Smart Cartridge™ fluid delivery system to virtually eliminate spills and help ensure the correct fluids are being used

## Code Assurance

- Multiple password protected access levels to system control menus help avoid unintentional input errors
- Storable print messages with pre-set and calculated fields minimise required user input
- Easy Videojet CLARiSOFT™ and CLARiSUITE® integration allows for remote control of advanced code functionality

## Simple usability

- Bright display with WYSIWYG and function keys for easy operation
- Store up to 250 complex messages for easy recall – store even more messages using a standard USB memory stick
- User levels to separate operation from installation and maintenance

# Videojet® 1620

## Continuous Inkjet

### Line speed capability

Can print 1 to 5 lines of print at speeds of up to 960ft./min. (293 m/min.) (10 characters per inch, single line of print)

### Font matrix configuration

Single-line: 5x5, 4x7, 5x7, 7x9, 9x12, 10x16, 16x24, 25x34  
Twin-line: 5x5, 5x7, 7x9, 9x12, 10x16  
Tri-line: 5x5, 4x7, 5x7, 7x9  
Quad-line: 5x5, 4x7, 5x7  
Five-line: 5x5

### Linear bar codes

UPC A&E; EAN 8 & 13; Code 128 A, B & C; UCC/EAN 128;  
Code 39; Interleaved 2 of 5; 2D DataMatrix; GS1

### DataMatrix codes

10x10, 12x12, 14x14, 16x16, 8x18, 18x18, 20x20, 22x22, 24x24, 16x26,  
26x26, 8x32, 32x32, 34x34, 12x36, 16x36, 16x48

### Nominal character height

Selectable from 0.079" (2mm) to 0.40" (10mm), depending on font

### Throw distance

Optimal: 0.472" (12mm)  
Range: 0.197" (5mm) to 0.591" (15mm)

### Keyboard

Membrane style with tactile feedback, including 72 numeric, alphabetic, and special function keys. PC-style layout to approximate international PC convention.

### Display

320x240 Bright blue backlight 5.7" LCD display  
WYSIWYG onscreen message editing

### Custom logo/graphics

Can be created by individual user on printer or PC with optional Videojet Logo Creator software

### Character sets

Chinese, Russian/Bulgarian, Turkish/Scandinavian, Greek, Arabic,  
Japanese/Kanji, Hebrew, Korean, East European and European/American

### Languages and interface options

English, Arabic, Bulgarian, Czech, Danish, Dutch, Finnish, French,  
German, Greek, Hebrew, Hungarian, Italian, Japanese, Korean,  
Norwegian, Polish, Portuguese, Russian, Simple Chinese, Spanish,  
Swedish, Thai, Traditional Chinese, Turkish and Vietnamese

### Data interface

RS232, RS485 and ethernet (standard)  
Clarisoft/Clarinet™ via RS232 and ethernet  
Message management via USB

### Message storage

250 complex messages; unlimited storage using USB

### Environmental protection

IP65 standard; no plant air required; stainless steel cabinet

### Printhead

Heated printhead  
Positive air (standard)  
Diameter: 1.63" (41.3mm)  
Length: 10.62" (269.8mm)

### Printhead umbilical

Ultra flexible  
Length: 9.84' (3m) optional 19.69' (6m)  
Diameter: 0.91" (23mm)  
Bend radius: 4.0" (101.6mm)

### Make-up fluid consumption

As low as 2.4 ml per hour

### Fluids containers

Ink Smart Cartridge™ 0.793 qt. (750ml)  
Make-up Smart Cartridge 0.793 qt. (750ml)

### Temperature/humidity range

32°F to 122°F (0°C to 50°C)  
0% to 90% RH non-condensing  
*With selected inks; actual installation may require additional hardware based on production environment conditions*

### Electrical requirements

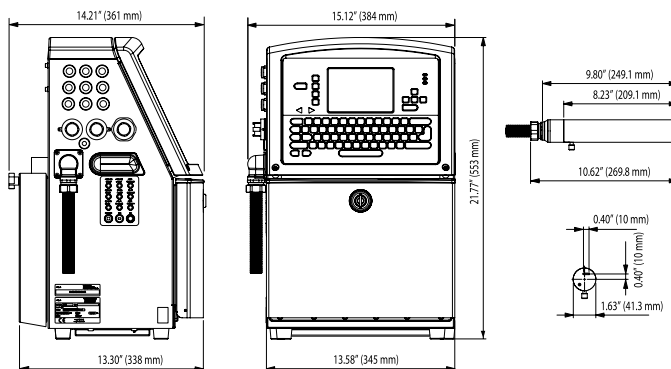
Nominal supply power 100-120 / 200-240 VAC at 50/60 Hz, 120 W

### Approximate weight

Unpacked and dry: 46.2lbs. (21kg)

### Options

Dry air kit for high humidity (requires plant air)  
60 or 70 micron nozzle  
Food grade version  
90 degree printhead  
Wide range of accessories



Call us free on **0800 500 3023**

Email **uksales@videojet.com**

or visit **www.videojet.co.uk**

Videojet Technologies Ltd.

4 & 5 Ermine Centre, Huntingdon, Cambridgeshire PE29 6XX / UK

Call us free on **+353 1 450 2833**

Email **irelandsales@videojet.com**

or visit **www.videojet.ie**

Videojet Ireland

C2, South City Business Park, Tallaght, Dublin 24 / Ireland

© 2019 Videojet Technologies Inc. — All rights reserved.

Videojet Technologies Inc.'s policy is one of continued product improvement. We reserve the right to alter design and/or specifications without notice.

Part No. SL000523  
ss-1620-en-0919

