



Continuous Inkjet

# Videojet® 1580

Monitor your printer performance to help reduce total cost of ownership with the Videojet® 1580 continuous inkjet printer.

Designed to deliver improved printer performance and operator effectiveness, the Videojet® 1580 continuous inkjet (CIJ) printer offers simple operation, reduced maintenance and superior print quality during every day operation. The 1580 CIJ printer utilises printer consumption to assess and suggest improvements on how the printer is used, helping to reduce total cost of ownership (TCO).



## Uptime Advantage

- Prevent a downtime event with an additional 8 hours minimum of runtime using a make-up reserve tank that protects your production under normal operating conditions
- Replace preventive maintenance components easily and reliably, with no additional production downtime
- Recover in minutes from unplanned interruptions with optional VideojetConnect™ Remote Service – minimising the need for on-site service calls (depending on local availability)

## Code Assurance

- Lower the opportunity for coding errors with intelligent message creation functionality
- Automate code content without the need for operator interaction with user definable message rules
- Streamline message creation and job set-up to start coding products quicker

## Simple Usability

- Eliminate potential user errors through a Videojet SIMPLICiTY™ interface that greatly reduces operator printer interactions
- Easy to operate tablet-inspired 10" touchscreen display that is intuitive to you and translated to native language
- Customise interfaces with built-in wizards, and access guided video tutorials for routine printer tasks

## Built-in Productivity

- Analyse your individual use patterns and receive printer improvement opportunities via on-screen alerts
- Access technical experts at the touch of a button through optional VideojetConnect™ Remote Service
- Operate more effectively with detailed runtime analytics and reporting, partnering with Videojet Service to improve over time

# Videojet® 1580

## Continuous Inkjet

### Line speed capability

Can print 1 to 5 lines of print at speeds of up to 914fpm (278mpm)  
(10 characters per inch, single line of print)

### Font matrix configuration

Single-line: 5x5, 5x7, 7x9, 9x12, 10x16, 16x24, 25x34  
Twin-line: 5x5, 5x7, 7x9, 9x12, 10x16  
Tri-line: 5x5, 5x7, 7x9  
Quad-line: 5x5, 5x7  
Five-line: 5x5

### Linear bar codes

UPC A&E; EAN 8 & 13; Code 128 A, B & C; UCC/EAN 128;  
Code 39; Interleaved 2 of 5; GS1

### QR codes

21x21, 25x25, 29x29, 33x33  
Error correction mode L, M, Q or H

### DataMatrix codes

10x10, 12x12, 14x14, 16x16, 8x18, 18x18, 20x20, 22x22, 24x24, 16x26, 26x26,  
8x32, 32x32, 34x34, 12x36, 16x36, 16x48

### Nominal character height

Selectable from 0.079" (2mm) to 0.40" (10mm), depending on font

### Throw distance

Optimal: 0.472" (12mm)  
Range: 0.197" (5mm) to 0.591" (15mm)

### User interface

10.4" high-response TFT-LCD touch screen  
WYSIWYG touch to edit message editing

### Custom logo/graphics

Can be created via optional CLARISOFT™ software\*

### Character sets

Chinese, Russian/Bulgarian, Turkish/Scandinavian, Romanian, Greek, Arabic,  
Japanese/Kanji, Hebrew, Korean, East European and European/American

### Languages and interface options

English, Arabic, Bulgarian, Czech, Danish, Dutch, Finnish, French, German, Greek,  
Hebrew, Hungarian, Italian, Japanese, Korean, Norwegian, Polish, Portuguese, Russian,  
Simple Chinese, Spanish, Swedish, Thai, Traditional Chinese, Turkish and Vietnamese

### Input/output

Product detect input  
Encoder input  
Beacon (Alarm light) output  
Relay output  
USB 2.0 (2x)  
Ethernet LAN™

### Message storage

More than 250 complex messages

### Environmental protection

IP55 standard, no plant air required, stainless steel cabinet  
IP65 protected electronics (optional with dust protection kit)

### Printhead

Heated printhead  
CleanFlow™ including positive air, no plant air required (optional)  
Diameter: 1.63" (41.3mm)  
Length: 10.62" (269.8mm)

### Printhead umbilical

Ultra flexible  
Length: 9.84' (3m) optional 19.69' (6m)  
Diameter: 0.91" (23mm)  
Bend radius: 4.0" (101.6mm)

### Make-up fluid consumption

5.0ml per hour (MEK at 20°C)

### Fluids containers

Ink and Make-up Smart Cartridge™ 0.793 qt. (750ml)

### Temperature/humidity range

32°F to 122°F (0°C to 50°C)  
0% to 90% RH non-condensing  
With selected inks; actual installation may require additional hardware  
based on production environment conditions

### Electrical requirements

Nominal supply power 100-240 VAC at 50/60 Hz, 70W

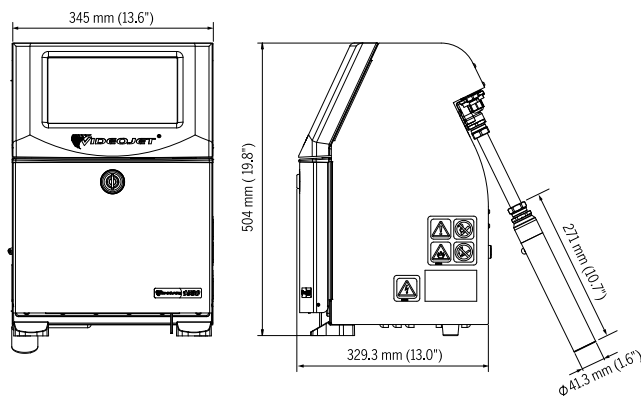
### Approximate weight

Unpacked and dry: 46.3lbs. (21kg)

### Options

Dust protection kit with CleanFlow™ technology  
Dry air kit for high humidity (requires plant air)  
RS232 connector kit (USB to Serial DIN-5 male adapter)  
SIMPLICITY™ Workflow Modules  
Wide range of accessories  
90 degree printhead

\* CLARISOFT Package Coding Design software required for bar codes and other advanced functionality.



Call us free on **0800 500 3023**  
Email **uksales@videojet.com**  
or visit **www.videojet.co.uk**

Videojet Technologies Ltd.  
4 & 5 Ermine Centre, Huntingdon, Cambridgeshire PE29 6XX / UK

Call us free on **+353 1 450 2833**  
Email **irelandsales@videojet.com**  
or visit **www.videojet.ie**

Videojet Ireland  
C2, South City Business Park, Tallaght, Dublin 24 / Ireland

© 2022 Videojet Technologies Inc. — All rights reserved.  
Videojet Technologies Inc.'s policy is one of continued product improvement.  
We reserve the right to alter design and/or specifications without notice.

Part No. SL000665  
ss-1580-en-0922

