



Print & Apply Labeller with Intelligent Motion™ technology

Videojet® 9560 Corner Wrap

The Videojet 9560 Corner Wrap is a smarter print and apply labeller that is designed to target zero unscheduled downtime and can help reduce costs and errors in case coding operations.

Our Intelligent Motion™ technology automatically and precisely controls the entire system, helping to remove operational downtime often caused by label jams and snagged labels. A robust and simply designed applicator makes it easy to use, plus an integrated pack detect feature helps ensure accurate label placement.

The 9560 with Corner Wrap applicator is ideal for cases or shrink wrapped products where the label must be applied across adjacent panels so that label information can be seen in various orientations.



Industry-proven labelling technology

- Optimise maintenance labour by removing common wear and adjustment parts
- Built-in pack/case detect sensor eliminates the need for additional components, simplifying integration and set-up
- Clean, robust design helps protect components during operation
- Eliminate label jams for common top or side labelling applications

Remove end-of-line inefficiencies

- Intelligent Motion™ technology delivers automatic control of the system and eliminates the added parts and adjustments that can make other labelling machines fail
- A direct drive controls label speed and position without clutches, rollers or adjustments
- Electronic supply reel automatically adjusts and maintains tension irrespective of speed and label size

Seamless connectivity and compatibility

- Virtually eliminate operator errors, helping to ensure products are coded correctly with built-in Code Assurance software features
- Includes embedded Wi-Fi for secure remote access and analytical capabilities
- Intelligent emulation capabilities include EtherNet/IP™, PROFINET®, Zebra, SATO and CoLOS protocols

Simple usability

- Perform label and ribbon changes in less than 60 seconds
- Single simple 8-inch user interface for easy control
- Onboard support videos guide the operator through routine tasks
- Flexibility to position user interface remotely
- Ability to access the interface on a connected network, including via mobile devices

Videojet® 9560 Corner Wrap

Print & Apply Labeller with Intelligent Motion™ technology

Application method

Direct Apply™ technology for side panel, pneumatic roller wipe for rear panel

Print technology

Thermal transfer printing with Intelligent Motion™ Ribbon Drive and Direct Thermal 53mm, 76mm and 107mm printhead versions

Print resolution

300dpi / 200dpi emulation mode

Printhead health monitoring

Tool-free quick release printhead replacement

Print speed

1.6 – 19.7inches/sec (40 – 500mm/sec)

Throughput

Up to 48 packs per minute (depending on label size)
Recommended max. conveyor speed 98.4ft/min (30m/min)

Ribbon specification

Width: 2.2" (55mm), 3.0" (76mm) and 4.3" (110mm) standard
Capacity: Up to 830m, including automatic ribbon save (<1mm ribbon gap between successive prints irrespective of label size or speed)
Low Ribbon/End of Ribbon detection with predicted changeover time built in as standard

Label specification

Label Width 1.6" to 4.5" (40mm to 115mm); dependent on printhead version
Label Length 2.0" to 11.8" (50mm to 300mm)
Capacity: Up to 400mm spool diameter (typically delivers over 9000 typical GS1 bar code labels per roll)
Low Labels and End of Label Reel detection, with predicted changeover time built in as standard
Automatic adjustment for label/backing type and label size

Print capabilities

Full downloadable font support using TrueType® fonts (including multiple languages and Unicode support); fixed, variable and merged text fields; flexible date/time formats; flexible shift code formats; auto best before date calculations and concession management; calendar rules; auto incrementing decrementing text, counters and bar codes; multiple graphic formats supported (up to maximum print area); link fields to databases; scalable text and text blocks; 1GB on-board label database, sufficient for 62,000 typical GS1 bar code label designs

Bar codes supported

EAN 8, EAN 13, UPC-A, UPC-E, Code 39, GS1-128, Code 128, ITF, RSS (including 2D composite codes); others available upon request

Connectivity

Ethernet, Power-over-Ethernet, RS232, Configurable I/O (24V, PNP and volt free)
USB (backup/restore and label upload), remote control Videojet 9560 via a web browser

Communications Protocols

Compatible with Videojet CLARISUITE™
Videojet binary and simple-ASCII protocols
Compatible with any label design software which supports Zebra or Sato print engines
Zebra (ZPL), Sato (SBPL) and Markem-Imaje (Cimcomms) protocol support
EtherNet/IP™
PROFINET®

Interface

CLARITY™ Controller with interactive on-board video tutorials

Language Capabilities

Arabic, Bulgarian, Czech, Danish, English, German, Greek, Finnish, French, Hebrew, Hungarian, Italian, Japanese, Korean, Dutch, Norwegian, Polish, Portuguese, Romanian, Russian, Serbian, simplified Chinese, Slovak, Spanish, Swedish, Thai, Turkish, Traditional Chinese, Vietnamese

Compressed Air

6 Bar. 90psi, uncontaminated

Power Consumption

90-260 VAC (115W at 50 packs per minute)

Operating Environment

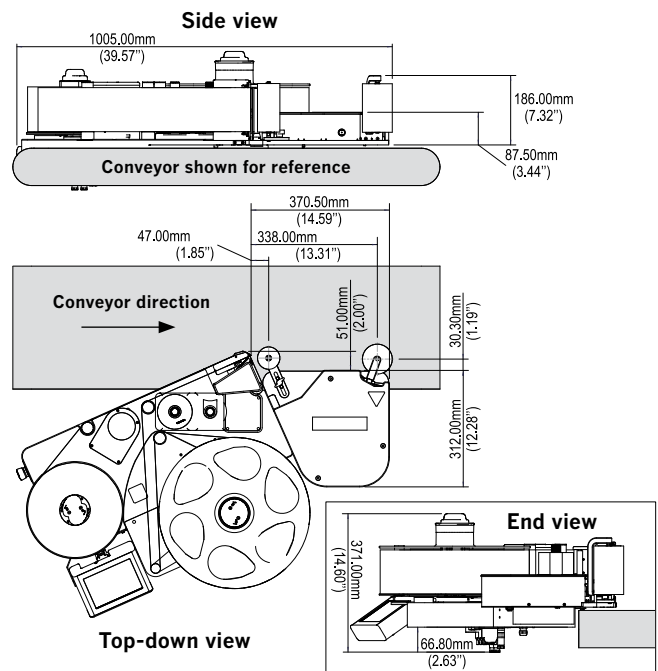
Temperature Range: 41-104°F (5-40°C)
Humidity: 20-85% Relative, non-condensing

Weight

Corner Wrap applicator – 15.20lbs (7kg)
9560 excluding ribbon and labels – max. 88.19lbs (40kg)

Applicable certifications

CE, TÜV



Call (65) 6349 2282

Email marketing.singapore@videojet.com

or visit www.videojet.sg

Videojet Technologies (S) Pte Ltd

1 Kaki Bukit View

#04-15/17 Techview

Singapore 415941

© 2024 Videojet Technologies Inc. — All rights reserved.

Videojet Technologies Inc.'s policy is one of continued product improvement. We reserve the right to alter design and/or specifications without notice. TrueType is a registered trademark of Apple Computer, Inc.

Part No. SL000732

ss-9560-corner-wrap-en-sg-0724

