



Thermal Ink Jet

Videojet® 8610

Delivering revolutionary printing technology for films, foils, plastics, and coated stocks, the 8610 combines the simplicity of thermal ink jet with the performance of MEK-based inks.

Designed specifically to print high resolution codes on hard-to-print surfaces, the 8610 utilizes a purpose-built ink jet cartridge designed specifically to jet high performance MEK and other industrial inks. The patented cartridge offers the simplicity of thermal ink jet with print resolutions up to four times greater than continuous ink jet solutions. At linear speeds up to 102 meters/minute (333 fpm), the 8610 can print either simple text or more complex marks for a range of applications in the packaged food, pharmaceutical, and cosmetics industries.



Uptime Advantage

- New print array with each cartridge change, ensuring peak performance
- No wear parts or maintenance consumables; no calibration procedures
- Designed and tested for 99.9% Availability*
- Rugged, industrial design made to withstand challenging production environments

Built in Productivity

- Cartridge Readiness System™ prevents ink from drying in the nozzles during production interruptions, providing clean, repeatable codes with virtually no operator intervention
- Controller drives up to two 12.7mm (1/2 inch) tall cartridges to enable printing in two locations or to allow more content

Code Assurance

- Advanced software virtually eliminates set-up errors
- Range of customer-selectable rules and permissions that simplify message selection and help prevent operator error

Simple Usability

- Innovative combination of thermal ink jet simplicity with industrial-grade ink performance for a range of substrates
- Quick and easy cartridge change in 15 seconds or less
- Minimal maintenance procedures – none technically demanding
- Icon-based controller with easy menu navigation that simplifies operator interaction

**Results based on testing using the reliability growth curve method for in excess of 70,000 cumulative hours and 75 million prints. Individual results may vary.*

Videojet® 8610

Thermal Ink Jet

Line Speed / Resolution Capability

Maximum Line Speed

240 x 240 dpi = 51 m/min (167 ft/min)

240 x 180 dpi = 68 m/min (222 ft/min)

240 x 120 dpi = 102 m/min (333 ft/min)

Print quality is resolution and speed dependent

Printing Capabilities

Full downloadable font support using TrueType® fonts

Fixed, variable and merged text fields

Flexible date/time and shift code formats

Auto best before date calculations

Multiple graphic formats supported (up to maximum print area)

Print Area

Up to 2 independent 12.7 mm (1/2") high print areas

Fields can be independently placed within the print area

Maximum lines of code is font size dependent (4 lines at 6 pts)

Bar Codes

EAN8, EAN13, UPC-A/E, CODE 39, CODE128, EAN128, GS1 DataBar (including 2D composite), DataMatrix, QR, PDF417

Display

8.4-inch TFT SVGA (800x800) full-color LCD and touch screen

WYSIWYG print preview

Three levels of password protection or advanced configurable password protection

Extensive language support (22 in total)

Controller Dimensions

245.70 mm (9.67") wide

142.90 mm (5.63") deep

203.20 mm (8.00") high

Dimensions exclude cartridge and cable connections

Controller Mounting

0 or 180 degree orientation

Mounting yoke included

Printhead Dimensions

194.60 mm (7.66") long

120.80 mm (4.75") high

122.60 mm (4.83") wide (at rub plate)

Dimensions exclude cartridge and cable connections

Printhead Mounting

Side or top orientation

Directly to conveyance system or optional printhead stand

Environmental Protection

IP65 controller cabinet, display and connections

304 stainless steel construction

Ink Cartridge

42 milliliters nominal

Drop size = 48 picoliters

2mm recommended throw distance

Temperature Range

41°F to 104°F (5°C to 40°C)

Electrical Requirements

100-240 VAC 50/60Hz

Approximate Weight (Controller)

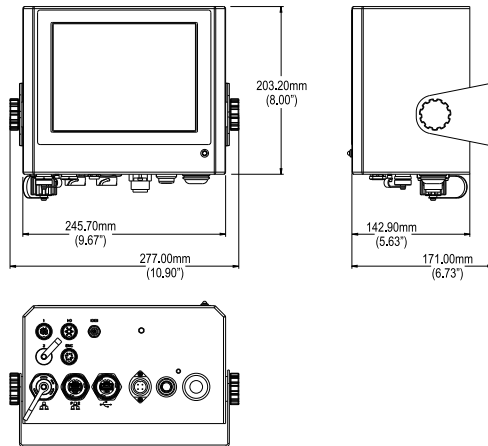
10.7 lbs (4.9 kgs)

Data Interface

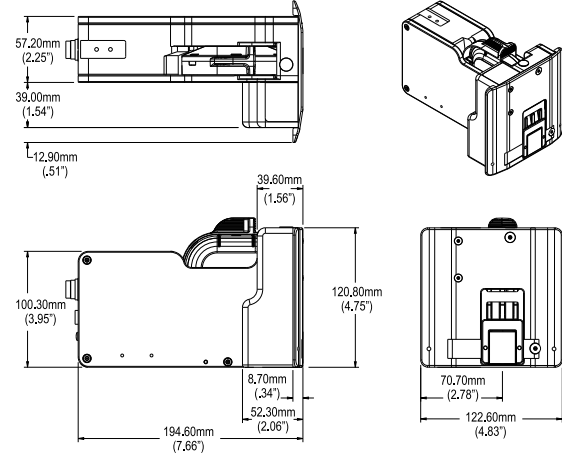
RS232, Ethernet, USB memory stick support, Text Communications Protocols



Controller



Printhead



Call (65) 6444 4218

or visit marketing.singapore@videojet.com

or email www.videojet.sg

Videojet Technologies (S) Pte Ltd

No. 11 Lorong 3 Toa Payoh

Block B #03-20/21 Jackson Square

Singapore 319579

© 2016 Videojet Technologies Inc. — All rights reserved.

Videojet Technologies Inc.'s policy is one of continued product improvement.

We reserve the right to alter design and/or specifications without notice.

TrueType is a registered trademark of Apple Computer, Inc.

Part No. SL000579

8610 Spec Sheet-0816

