

## Weekly Maintenance

This section describes the procedures that should be completed once every week. Carefully follow the procedures in this section to avoid diluting the ink system with excess cleaning fluids.

Weekly Maintenance Schedule	
Procedure	Turn to Page
Clean the printhead* <b>Summary:</b> Clean the printhead weekly. <b>Never</b> clean the printhead during shutdown.	6-10

**Table 6-3. Weekly Maintenance Schedule**

### Cleaning the Printhead

This section describes how to clean the printhead.

### When to Clean the Printhead

Clean the printhead weekly. Some applications may require more frequent cleaning. Check your printhead regularly. Operation in unusual conditions may require more frequent cleaning. Your operating experience dictates how often to clean your printhead.

**Never clean the printhead at during shutdown.** By not cleaning the printhead at shutdown, a cap of ink is allowed to dry over the end of the nozzle. This ink cap keeps air from entering the nozzle and drying the ink. This helps to prevent clogs in the nozzle.

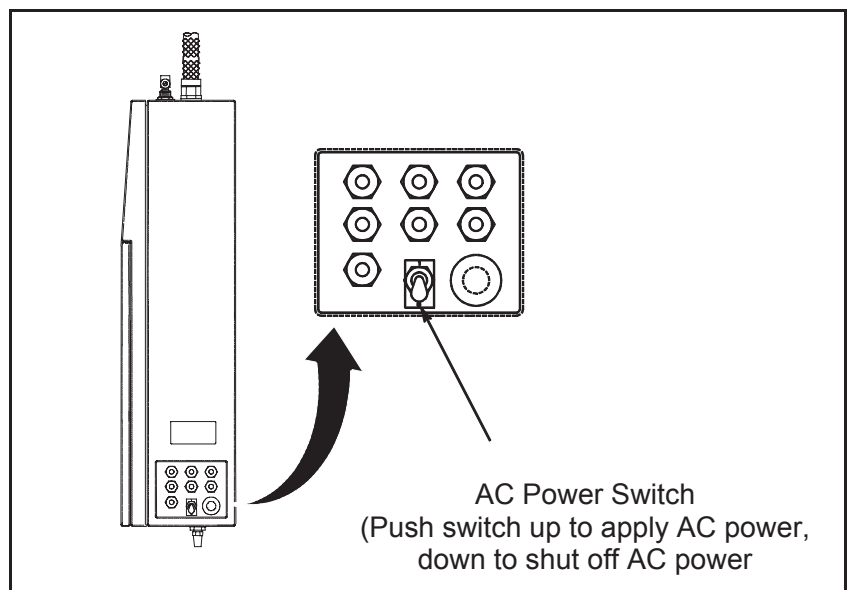
**NOTE:** *If your printer is equipped with the Auto Flush option, the system will automatically clean the nozzle and ink return line with make-up fluid when you shut down the printer. In this case, an ink cap will not form over the nozzle opening because the ink inside the nozzle is flushed away. When shutting the printer down while the printer is in the service mode, the Auto Flush procedure is not automatically activated.*

## Procedure



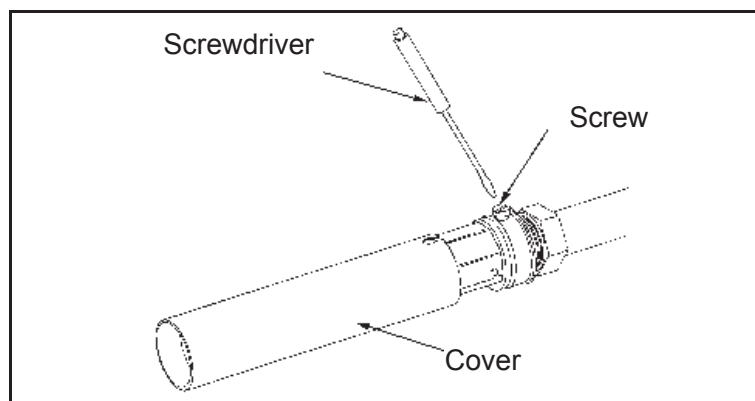
**WARNING:** Before starting this procedure, make certain that AC power to the printer is Off, and the AC power and compressed air supply to the printer are disconnected (unplugged). Failure to follow this warning may result in personal injury.

1. If the printer is running, press the **OFF** key to turn the printer Off. Allow the printer to complete its programmed four-minute shutdown sequence.
2. Place the AC power switch in the Off (O) position. Refer to Figure 6-4 for the location of the AC Power Switch.



**Figure 6-4. AC Power Switch**

3. Locate the screw that holds the printhead cover in place (refer to Figure 6-5).
4. Use a screwdriver to loosen the screw, then slide the printhead out of the printhead cover.



**Figure 6-5. Removing the Printhead from its Cover**

5. Visually inspect the printhead assembly. Look for foreign particles and ink that typically accumulate in the nozzle orifice (located on the front of the nozzle), charge tunnel, deflection plate and ink return. Refer to Figure 6-6 for the location of each component.

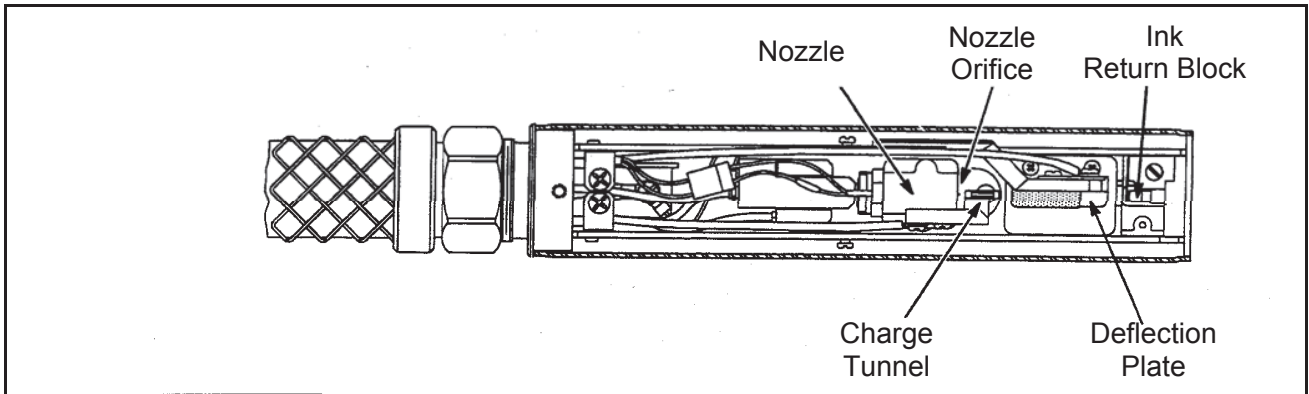


Figure 6-6. Printhead Component Identification

6. Ground the printhead. Refer to Figure 6-7 for two grounding methods.



**WARNING:** Make certain to ground the service tray to the printer, and install the printhead into the service tray. Failure to properly ground the service tray and printhead when using flammable ink may cause fire due to static discharge.

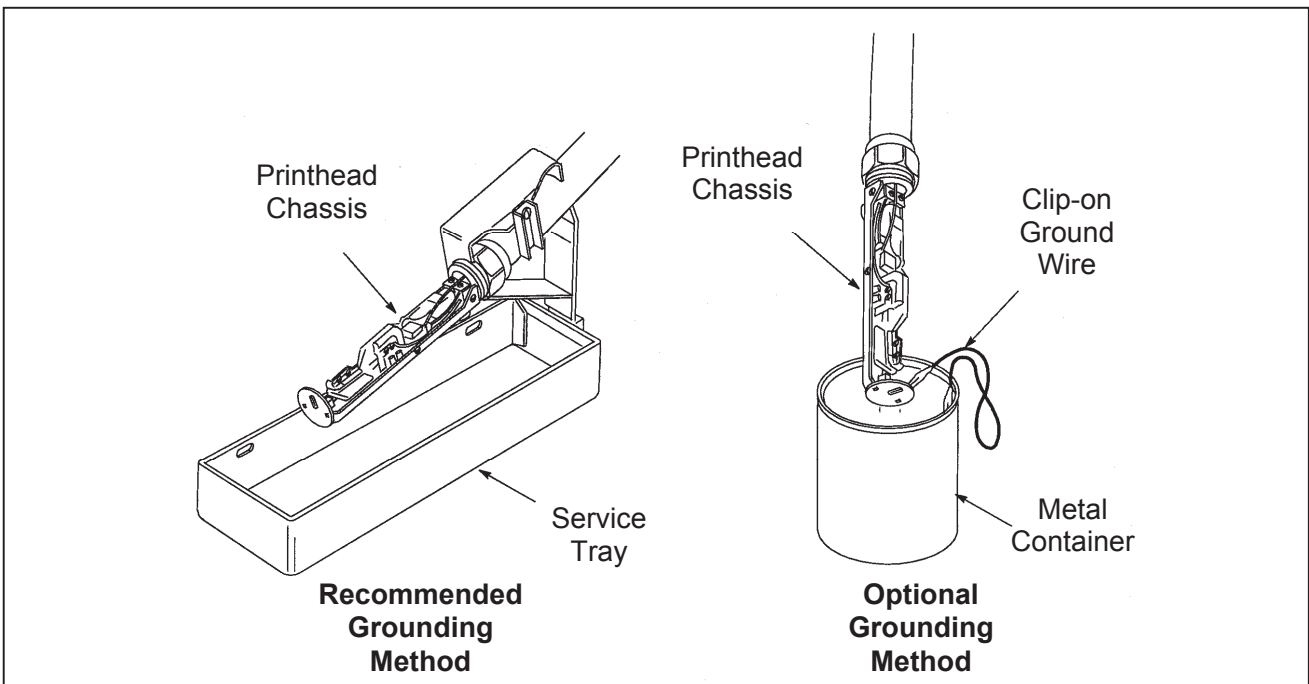


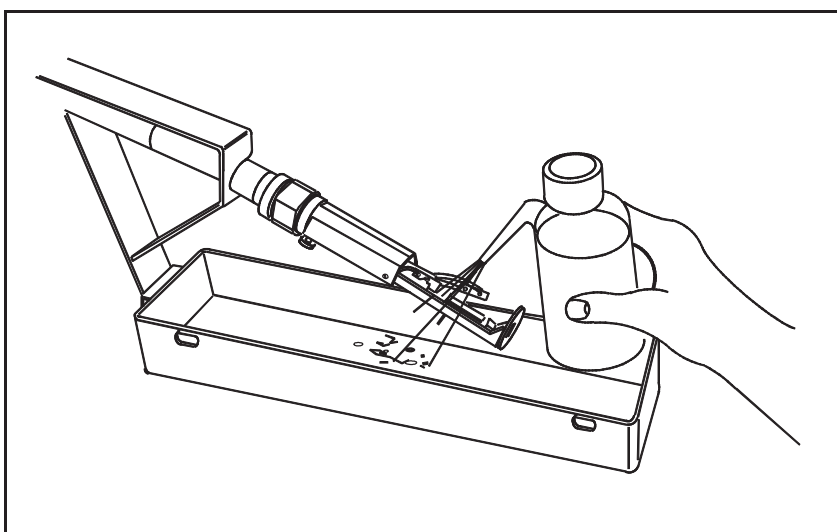
Figure 6-7. Grounding Methods



**CAUTION:** Be very careful when cleaning the charge tunnel. Serious misalignment or damage may occur if excessive force is used during cleaning.

7. Ensure the printhead is pointed down into the grounded service tray. Flush away contaminants using the recommended VIDEOJET cleaning solution or make-up fluid (refer to Figure 6-8).

**NOTE:** Use cleaning solution sparingly. Do not flush excessive amounts of cleaning solution into the ink return block.



**Figure 6-8. Cleaning the Printhead**

8. Dry the printhead completely, using compressed air at approximately 20 psi (1.4 bar).



**CAUTION:** Do not use shop cloths or paper towels to dry the printhead or cover. Only use compressed air at about 20 psi (1.4 bar). Do not force compressed air into the ink return block.

9. Remove the printhead from the service tray.
10. Clean the printhead cover if it is dirty, and then insert the printhead back into the printhead cover.
11. Dispose of the cleaning solution in the service tray (or other waste container used) properly.



**CAUTION:** Do not pour cleaning solution into sinks, sewers, or drains. Comply with all appropriate regulations when disposing of printer fluids. Consult the appropriate regulatory agency for further information.

**NOTE:** In some instances, you may have to carefully reclean the tip of the nozzle and dry it before use.