



Industrial Code Reader Kit

Videojet® VL200

Videojet Laetus industrial code reading solutions are designed to help ensure your product's 1D and 2D codes are readable whether they are preprinted or produced by your Videojet printer.

Cost-effective and compact, this camera kit is designed for flexible connectivity and high performance in almost any automation environment. It can read all established codes, including stacked codes and 1D and 2D bar codes.*

Featuring the powerful Laetus™ COCAM wt880 camera, the Videojet VL200 Industrial Code Reader Kit is suitable for high-volume pharmaceutical and consumer packaged goods.



Uptime Advantage

- Variable illumination technology helps ensure stable reading even in changing light conditions
- Delivers reliable decoding in challenging production environments
- Pre-programmed to meet most code reading application requirements

Code Assurance

- High scanning output with integrated evaluation of code data
- Two-color audible alert light provides immediate confirmation of code readability
- Optional code matching technology helps confirm not only that a code is readable, but that the data content is accurate

Built-in Productivity

- Outstanding sensitivity to many code and background colors through bi-colored LED illumination
- Compact design and swivel connector enables integration in tight spaces
- Ethernet interface integrates easily into packaging control systems

Simple Usability

- Simple programming feature enables quick and easy setup and configuration of the Videojet VL200
- Universal mounting bracket helps meet most installation needs
- Rotatable plug unit provides versatile installation options
- Setup assistant speeds alignment

* Not recommended for direct printing on brown corrugate materials

Industrial Code Reader Kit

Videojet VL200

Specifications

Focus: Adjustable focus / teach auto focus

Outputs: 4 separate programmable outputs

Protocols: TCP/IP Ethernet, EtherNet/IP™, PROFINET®, RS232

Environmental Protection: IP65 code reader; IP65 I/O enclosure

Standard Components

Laetus COCAM wt880

Photocell with mount

I/O box with power supply

Two-color stack light with 80db audible alarm

Communication cables

Mounting hardware

Optional

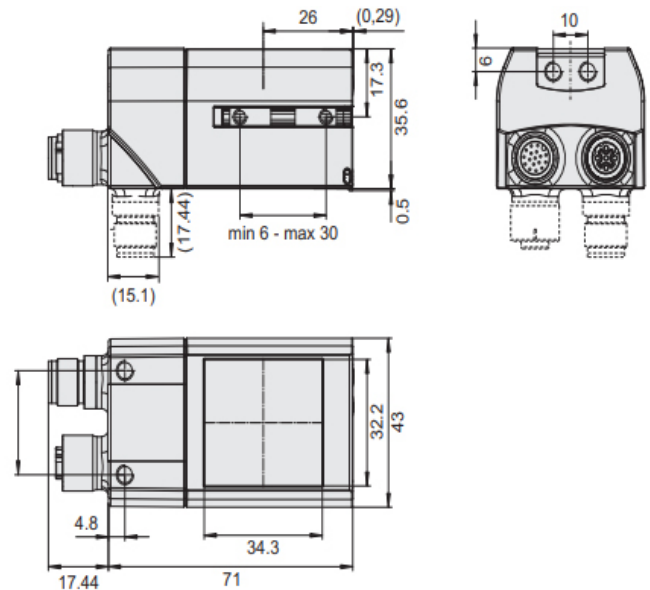
3rd and 4th output upgrade

Output relays

Match code programming

Auto-learn button for code matching

Laetus COCAM wt880 camera unit



New printer and vision quote 866-871-3226

Order supplies shop.videojet.com

Call **800-843-3610**

or visit www.videojet.com

or email info@videojet.com

Videojet Technologies Inc.

1500 Mittel Blvd. Wood Dale IL 60191 / USA

©2020 Videojet Technologies Inc. All rights reserved.

Videojet Technologies Inc.'s policy is one of continued product improvement. We reserve the right to alter design and/or specifications without notice.

All trademarks shown are the property of their respective owners.

