



Thermal Transfer Overprinting **IP DataFlex® Plus**

The IP DataFlex® Plus is a superior thermal transfer coding solution for flexible packaging applications where daily cleaning procedures may cause issues for traditional TTO printers.

When uptime and performance are critical and your production environment requires regular washdown procedures, the IP DataFlex® Plus is the ideal solution. The user interface offers standard IP55 protection, and with a simple cover change, the printer unit is protected to IP65.

The IP DataFlex® Plus is ideal for a range of flexible packaging applications including fresh or frozen fruits and vegetables, meat, poultry and seafood. This thermal transfer printing system can apply a wide variety of data, including ingredient listings and nutritional information. It is ideal for multi-lane and thermoformer applications in washdown environments, eliminating the need for a special enclosure for protection.



Uptime Advantage

- Clutchless ribbon drive maintains consistent ribbon tension, virtually eliminating ribbon breaks and related downtime
- Simple cassette design makes ribbon replenishment fast, so the coder is back on-line and coding with minimum impact to production

Built-in productivity

- 316 grade stainless steel construction helps prevent corrosion
- Sealed connectors and cabling for washdown and dust protection
- Long 1200m ribbon length and consistent .002" (0.5mm) gap between prints provides more coded products between ribbon changes and minimum waste
- Patented bi-directional drive helps ensure low ribbon usage during each print cycle, providing more prints per roll of ribbon

Code Assurance

- Advanced coder software virtually eliminates set-up errors
- Simple message selection reduces the potential for errors
- Range of customer selectable rules and permissions that help to prevent operator error with the printed code

Simple usability

- Seamless integration with a range of OEM equipment and standard bracketry
- Comprehensive communications package for host packaging and control
- Easy to use interface with icon-based color touch screen housed in an IP55-rated cabinet
- Intuitive design features make training and operation quick and easy
- Simple cassette change to go from production to washdown

IP DataFlex® Plus

Thermal Transfer Overprinting

Printhead

53mm, 300dpi (12dot/mm)

Print area

Intermittent printing mode: 2.1" (53mm) wide x 3.0" (75mm) long (RH option),
2.1" (53mm) wide x 2.7" (68mm) long (LH option)
Continuous printing mode: 2.1" (53mm) wide x 7.9" (200mm) long

Minimum print speed

Intermittent mode: 1.96 in./sec (50mm/sec)
Continuous mode: 0 in./sec (0mm/sec)

Maximum print speed

Intermittent mode: 31.5 in./sec (800mm/sec)
Continuous mode: 39.4 in./sec (1000mm/sec)

Printing capabilities

Full downloadable font support using TrueType® fonts (including multiple languages and Unicode support); fixed, variable and merged text fields; flexible date/time formats; flexible shift code formats; auto best before date calculations and concession management; calendar rules; auto incrementing/decrementing text, counters and bar codes; multiple graphic formats supported (up to maximum print area); link fields to databases; scalable text and text blocks

Bar codes

EAN 8, EAN 13, UPC-A, UPC-E, Code 39, EAN 128, Code 128, ITF, RSS (including 2D composite codes); others available upon request

Operator interface

TFT SVGA 800x600 full-color LCD and touch screen, WYSIWYG print preview, full on-board diagnostics, 3 levels of password protection, extensive language support

Environmental protection

IP55 rated controller cabinet and IP65 rated printer with protective cassette

Bracketry

Stainless steel available; a variety of designs for a wide range of packaging equipment

Ribbon range

Full assortment of wax/resin and resin ribbons in a variety of colors

Maximum ribbon length

Lengths up to 1,200 meters available, dependent on ribbon width and color

Ribbon widths

0.8" (20mm) min, 2.2" (55mm) max

Nominal gap between successive prints

0.002" (0.5mm)

Ribbon saving features

Radial, interleaved, intermittent stripes

Image design software

CLARISOFT®

Network management software

CLARINET®

Remote coder configuration software

CLARITY® Configuration Manager
"Off-line" set up and parameter storage available as standard

Standard installation options leader/follower configuration

Up to four IP DataFlex® Plus printers controlled via a single CLARITY control unit

Web browser mode

Remote control of the IP DataFlex® Plus units from a host packaging machine control box interface

External communications

RS232, ethernet, USB memory stick and scanner support, Binary and ASCII comms protocols, CimComms, Windows drivers and ZPL emulations

External inputs/outputs

3 PNP inputs
2 relay outputs and 2 PNP +24V outputs

Air supply

6 Bar, 90psi, uncontaminated

Power supply

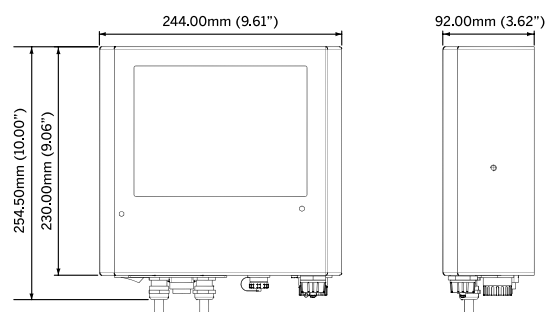
90-264V

Operating temperature

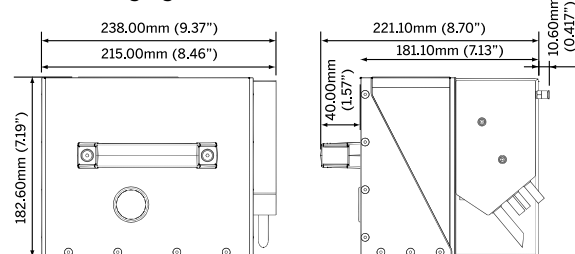
2-40°C (35-104°F)*

* With selected ribbons. Actual installation may require additional hardware based on production environment conditions.

Control Panel



Imaging Unit (shown with washdown cover fitted)



CERTIFIED
ISO 9001
DOCUMENTED QUALITY



Call **800-843-3610**

Email **info@videojet.com**

or visit **www.videojet.com**

Videojet Technologies Inc.

1500 Mittel Blvd. Wood Dale IL 60191 / USA

© 2020 Videojet Technologies Inc. — All rights reserved.

Videojet Technologies Inc.'s policy is one of continued product improvement. We reserve the right to alter design and/or specifications without notice.

Part No. SL000574
ss-ip-dataflex-plus-us-1020
Printed in U.S.A.

