



Print & Apply Pallet Labeler with Intelligent Motion™

# Videojet® 9560 PL

The Videojet 9560 PL is a reliable, automated pallet labeling system that helps reduce warehouse costs and pallet labeling mistakes.

The Videojet 9560 PL is a fully automated pallet labeling system specifically engineered to function in demanding conditions. Capable of covering two or three sides and applying up to four labels, it can process up to 120 pallets per hour across diverse applications. The system verifies label accuracy and reprints incorrect labels as needed, to help ensure error-free operations. The 9560 PL also facilitates secure warehouse management and adherence to industry regulations.

With Intelligent Motion™ ribbon drive technology, the 9560 PL offers a clutchless, adjustment-free system that delivers reliable pallet label application with the intelligence needed for today's automated production processes.



## Uptime Advantage

- Increase uptime from automatic reprinting of unreadable labels and a rotating tamp pad that applies the correct label in the opposite orientation
- Zero mechanical adjustments during day-to-day operation
- Perform label and ribbon changes in less than 60 seconds through simplest web path
- Fully enclosed cabinet for dust protection and optional heater for temperature control

## Built-in productivity

- Never miss a label, regardless of line throughput, labeling up to 120 pallets per minute
- Labeling arm extends up to 700mm beyond the enclosure and applicator swivels 90° in both directions for front or rear placement
- Connectivity ready to help ensure easy, quick system management and keep increase productivity

## Code Assurance

- Virtually eliminate operator errors, helping to ensure products are coded correctly with built-in Code Assurance software features
- Integrated bar code scanner checks for label errors, ensures readability, and validates codes so the system can automatically reprint/re-apply faulty labels to avoid manual rework
- Precisely apply GS1-compliant bar code labels on up to three sides of a pallet

## Simple usability

- Small footprint allows for easier integration and on-board videos help simplify user training
- Embedded Wi-Fi for easy connection to production and warehouse management systems
- Optional second interface available for use in guarded areas

# Videojet® 9560 PL

## Print & Apply Pallet Labeler with Intelligent Motion™

### Application method

Telescopic tamp

### Print technology

Thermal transfer printing with Intelligent Motion™ Ribbon Drive and Direct Thermal 160mm printhead

### Print resolution

300dpi / 200dpi emulation mode

### Printhead health monitoring

Tool-free quick release printhead replacement

### Print speed

Up to 15.7in/sec (400mm/sec)

Speed is dependent on the application

### Throughput

Up to 120 pallets per hour, based on two labels per pallet

### Ribbon specification

Width: 5.9 - 6.5" (150 - 165mm)

Capacity: Up to 500m, including automatic ribbon save (< 1mm ribbon gap between successive prints irrespective of label size or speed)

Low Ribbon and End of Ribbon detection with predicted changeover time built in as standard

### Label specification

Width/length: 5.9 to 6.9" / 4.0 to 8.3" (150 to 175mm / 100 to 210mm); A5/A6

Capacity: Up to 330mm spool diameter

Low Labels and End of Label Reel detection, with predicted changeover time built in as standard

Automatic adjustment for label/backing type and label size

400MB on-board label database, sufficient for 25,000 typical GS1 bar code label designs

### Print capabilities

Full downloadable font support using TrueType® fonts (including multiple languages and Unicode support); fixed, variable and merged text fields; flexible date/time formats; flexible shift code formats; auto best before date calculations and concession management; calendar rules; auto incrementing/decrementing text, counters and bar codes; multiple graphic formats supported (up to maximum print area); link fields to databases; scalable text and text blocks

### Bar codes supported

EAN 8, EAN 13, UPC-A, UPC-E, Code 39, GS1-128, Code 128, ITF, RSS (including 2D composite codes); others available upon request

### Connectivity

Ethernet, Power-over-Ethernet, Configurable I/O (24V, PNP and volt free); 8 inputs and 6 outputs

USB (for backup/restore and label upload), remote Control Videojet 9560 PL via a web browser

### Communications protocols

Compatible with Videojet CLARISUITE®

Videojet binary and simple-ASCII protocols

Compatible with any label design software which supports Zebra or Sato print engines Zebra (ZPL), Sato (SBPL) and Markem-Imaje (Cimcomms) protocol support

EtherNet/IP™

PROFINET®

### Interface

CLARiTY™ Controller with interactive on-board video tutorials

TFT SVGA 800x480 full-color LCD and touch screen, WYSIWYG print preview, full on-board diagnostics, three levels of password protection, extensive language support

### Language capabilities

Arabic, Bulgarian, Czech, Danish, English, German, Greek, Finnish, French, Hebrew, Hungarian, Italian, Japanese, Korean, Dutch, Norwegian, Polish, Portuguese, Romanian, Russian, Serbian, Spanish, Swedish, Thai, Turkish, Vietnamese

### Air consumption

3L air/label or 6L air/pallet (2 labels/pallet)

Operating air pressure: 4 bar (58 psi, 400 kPa)

### Power consumption

100 – 240VAC

### Operating environment

Temperature Range: 41 - 104°F (5 - 40°C); 23 - 104°F (-5 - 40°C) with heater

Humidity: 20 - 85% Relative, non-condensing

### Weight

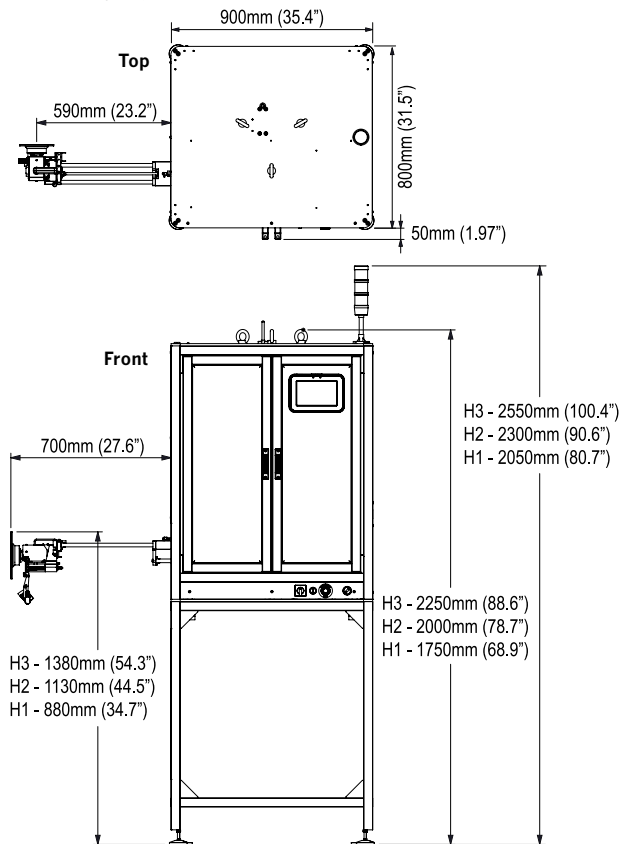
441lbs (200kg) (max, including ribbon and labels)

### Applicable certifications

CE, TUV

### Dimensions

Available in three height options



New printer quote 866-871-3226

Order supplies [shop.videojet.com](http://shop.videojet.com)

Call 800-843-3610

Email [info@videojet.com](mailto:info@videojet.com)

or visit [www.videojet.com](http://www.videojet.com)

Videojet Technologies Inc.

1500 Mittel Blvd. Wood Dale IL 60191 / USA

©2024 Videojet Technologies Inc. — All rights reserved.

Videojet Technologies Inc.'s policy is one of continued product improvement. We reserve the right to alter design and/or specifications without notice. TrueType is a registered trademark of Apple Computer, Inc.

Part No. SL000724  
ss-9550-pl-us-0324  
Printed in U.S.A.

