



## Thermal Transfer Overprinting **Videojet® 6210**

The Videojet 6210 delivers maximum reliability and efficiency for marking variable, high resolution images on flexible packaging and labels — at an affordable price.

The Videojet® 6210 Thermal Transfer Overprinter (TTO) offers a proven and cost-effective solution for users ready to migrate to a digital solution from a non-digital solution such as hot stamp or roller coders. It is ideal for lower speed intermittent and continuous motion flexible packaging applications. The 6210 is well-suited for variable data coding in the snack food, bakery, confectionery, frozen and refrigerated foods, bagged fresh vegetables and dried fruits markets.



### Uptime Advantage

- Clutchless ribbon drive maintains consistent ribbon tension, virtually eliminating ribbon breaks and ribbon related downtime
- Simple ribbon cassette design makes ribbon replenishment fast
- 700 meter ribbon length requires less frequent ribbon changes than hot stamp or other competitive TTO systems

### Built-in productivity

- Bi-directional ribbon drive allows unused ribbon to be recaptured after each print
- Delivers more prints per roll and a low cost of ownership
- Offers 300 dpi print resolution for high quality codes up to 32mm (1.26 in) wide at speeds up to 125 packs/minute

### Code Assurance

- Advanced coder software virtually eliminates set-up errors
- Range of customer selectable rules and permissions along with simple message selection reduce the potential for operator errors
- WYSIWYG image display reduces set up errors

### Simple usability

- Intuitive, graphical user interface with 5.7-inch color touchscreen incorporates easy to learn icon-based controls, helping to make set-up fast and easy
- Variable date and time fields are automatically updated eliminating the time and effort spent changing stamps

# Videojet® 6210

## Thermal Transfer Overprinting

### Printhead

32mm, 300 dpi (12 dots/mm)

### Print Area

Continuous mode: Max. 32mm x 40mm (1.26" x 1.57")  
Intermittent mode: Max. 32mm x 34mm (1.26" x 1.34")

### Printing Modes

Continuous & Intermittent modes in the same machine

### Print Speed

Intermittent: 50mm/sec. to 200mm/sec. (2.0"/sec to 7.9"/sec)  
Continuous: 40mm/sec. to 500mm/sec. (1.6"/sec to 19.7"/sec)

### Operator Interface

5.7" Color QVGA CSTN (240 x 320 pixels) LCD and touch screen  
WYSIWYG print preview  
On-board diagnostics  
3 levels of password protection  
Multiple language support

### Ribbon Drive

Solid-state, clutchless bi-directional ribbon drive, including

- Ribbon break detection
- End of reel detection
- Ribbon consumption indication
- Ribbon Save mode: Interleave (50% saving of ribbon)

### Printing Capabilities

Full downloadable font support using Windows® TrueType® fonts  
Fixed and variable text and numeric data  
User entered text and numeric data (including Chinese)  
Flexible date / time formats (based on internal real time clock)  
Auto best before date calculations  
Flexible shift code formats

### Ribbon Length

700 meters (766 yds.) available in variety of grades and colors

### Ribbon Widths

22mm and 33mm (0.87" and 1.30")

### Image Design Management

Created using CLARISOFT™ for VJ6210  
Stored locally in printer's internal memory (128MB capacity)  
Loaded via USB memory stick or RS232

### Remote Coder Configuration Software

CLARiTY™ Configuration Manager (included)

### External Communications

USB memory stick, RS232 (binary communications only)

### External Inputs

Print Go  
Inhibit Print  
Quadrature encoder (single phase not supported)

### External Outputs

Fault  
Warning  
Busy  
Printing

### Air Supply

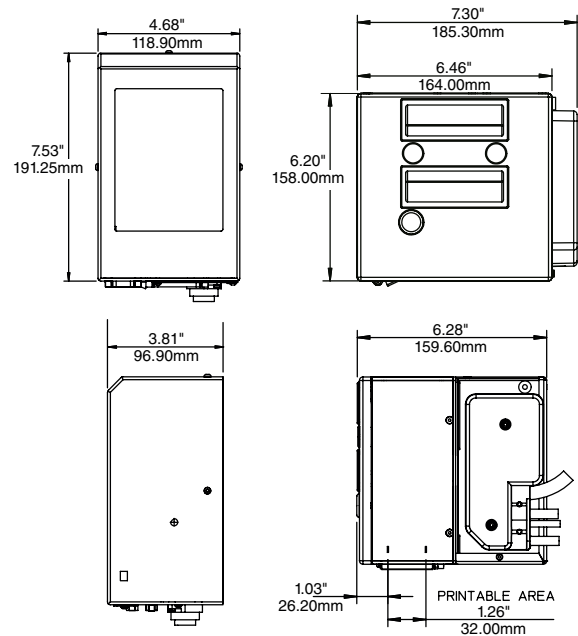
4-6 Bar, locally regulated

### Power Supply

90-240 VAC 50/60Hz

### Operating Temperature

41°-104°F (5°- 40° C)



CERTIFIED  
ISO 9001  
DOCUMENTED QUALITY



**New printer quote 866-871-3226**

Order supplies [shop.videojet.com](http://shop.videojet.com)

Call **800-843-3610**

Email [info@videojet.com](mailto:info@videojet.com)

or visit [www.videojet.com](http://www.videojet.com)

Videojet Technologies Inc.  
1500 Mittel Blvd. Wood Dale IL 60191 / USA

©2019 Videojet Technologies Inc. — All rights reserved.

Videojet Technologies Inc.'s policy is one of continued product improvement. We reserve the right to alter design and/or specifications without notice. Windows is a registered trademark of Microsoft Corporation. TrueType is a registered trademark of Apple Computer, Inc.

Part No. SL000435  
ss-6210-us-0219  
Printed in U.S.A.

