



Continuous Inkjet

# Videojet® 1650

The Videojet 1650 is engineered for more demanding coding and marking applications where a combination of speed and throughput require a high utilization solution.

When it comes to uptime and availability in high speed or challenging environments, nothing beats the Videojet 1650. Its advanced features and tools help minimize planned and unplanned downtime. The advanced CLARiTY™ user interface helps optimize Overall Equipment Effectiveness (OEE). It is ideal for multi-shift and extended production periods with line speeds up to 960 feet per minute.



## Uptime Advantage

- Dynamic Calibration™ and CleanFlow™ printhead technology keep your print quality optimal and let you run longer between printhead cleanings
- Longest run time between preventive maintenance– 14,000 hour core life
- IP65 rating and 316 stainless steel cabinet for dusty and washdown environments

## Built-in productivity

- User interface not only shows the printer availability percentage, but also the data behind it
- Advanced drill down capability to trace downtime events to their root cause, so you can fix them
- Configurable settings let you track availability to match your production processes and OEE methods

## Code Assurance

- Prevent costly coding mistakes with CLARiTY-based user interface
- Foolproof set-up wizards make it easy to get codes right and hard to get them wrong
- Further reduce errors by pulling data directly from database systems

## Simple usability

- Large, responsive 10.4" touchscreen is easy to operate and visible from a distance
- Smart Cartridge™ fluid system significantly reduces waste, mess and mistakes

# Videojet® 1650

## Continuous Inkjet

### Line speed capability

Can print 1 to 5 lines of print at speeds of up to 960fpm (293mpm)  
(10 characters per inch, single line of print)

### Font matrix configuration

Single-line: 5x5, 4x7, 5x7, 7x9, 9x12, 10x16, 16x24, 25x34  
Twin-line: 5x5, 5x7, 7x9, 9x12, 10x16  
Tri-line: 5x5, 4x7, 5x7, 7x9  
Quad-line: 5x5, 4x7, 5x7  
Five-line: 5x5

### Linear bar codes

UPC A&E; EAN 8 & 13; Code 128 A, B & C; UCC/EAN 128;  
Code 39; Interleaved 2 of 5; 2D DataMatrix; GS1

### DataMatrix codes

10x10, 12x12, 14x14, 16x16, 8x18, 18x18, 20x20, 22x22, 24x24, 16x26, 26x26,  
8x32, 32x32, 34x34, 12x36, 16x36, 16x48

### Nominal character height

Selectable from 0.079" (2mm) to 0.40" (10mm), depending on font

### Throw distance

Optimal: 0.472" (12mm)  
Range: 0.197" (5mm) to 0.591" (15mm)

### User interface

10.4" high-response TFT-LCD touch screen  
WYSIWYG touch to edit message editing

### Custom logo/graphics

Can be created via optional CLARISOFT® software

### Character sets

Chinese, Russian/Bulgarian, Turkish/Scandinavian, Greek, Arabic, Japanese/Kanji,  
Hebrew, Korean, East European and European/American

### Languages and interface options

English, Arabic, Bulgarian, Czech, Danish, Dutch, Finnish, French, German, Greek,  
Hebrew, Hungarian, Italian, Japanese, Korean, Norwegian, Polish, Portuguese, Russian,  
Simple Chinese, Spanish, Swedish, Thai, Traditional Chinese, Turkish and Vietnamese

### Data interface

Ethernet (standard)  
CLARISOFT/CLARINET™ via ethernet  
Message management via USB

### Message storage

More than 250 complex messages

### Environmental protection

IP65 standard, no plant air required; 316 stainless steel cabinet

### Printhead

Heated printhead  
Positive air (standard)  
Diameter: 1.63" (41.3mm)  
Length: 10.62" (269.8mm)

### Printhead umbilical

Ultra flexible  
Length: 9.84' (3m) optional 19.69' (6m)  
Diameter: 0.91" (23mm)  
Bend radius: 4.0" (101.6mm)

### Make-up fluid consumption

As low as 2.4ml per hour

### Fluids containers

Ink Smart Cartridge™ 0.793 qt. (750ml)  
Make-Up Smart Cartridge 0.793 qt. (750ml)

### Temperature/humidity range

32°F to 122°F (0°C to 50°C)  
0% to 90% RH non-condensing  
*With selected inks; actual installation may require additional hardware based on production environment conditions*

### Electrical requirements

Nominal supply power 100-120 / 200-240 VAC at 50/60 Hz, 120 W

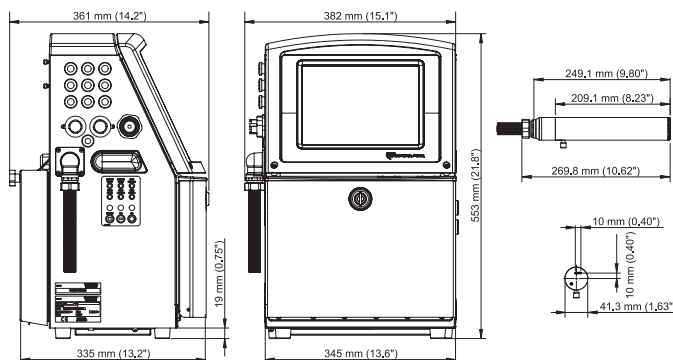
### Approximate weight

Unpacked and dry: 48.5lbs. (22kg)

### Options

Dry air kit for high humidity (requires plant air)  
60 or 70 micron nozzle  
Food grade version  
90 degree printhead  
Wide range of accessories

\* CLARISOFT Package Coding Design software required for bar codes and other advanced functionality.



New printer quote 866-871-3226

Order [supplies shop.videojet.com](http://supplies.shop.videojet.com)

Call 800-843-3610

Email [info@videojet.com](mailto:info@videojet.com)

or visit [www.videojet.com](http://www.videojet.com)

Videojet Technologies Inc.

1500 Mittel Blvd. Wood Dale IL 60191 / USA

©2019 Videojet Technologies Inc. — All rights reserved.

Videojet Technologies Inc.'s policy is one of continued product improvement. We reserve the right to alter design and/or specifications without notice.

Part No. SL000560  
ss-1650-0919  
Printed in U.S.A.

