



Continuous Inkjet

Videojet® 1520

Simpler operation. Less maintenance. Superior print quality. The Videojet 1520 is engineered to keep your line up and running longer.

Designed for customers who print multiple shifts per day, the Videojet 1520 Continuous Inkjet printer provides up to 12,000 hours of production before required preventive maintenance. The 1520 is a highly flexible platform specifically designed for medium duty coding applications. Its advanced performance features make it a benchmark performer for production professionals across the globe.



Uptime Advantage

- CleanFlow™ technology resists ink buildup that can cause ordinary inkjet printers to shut down
- Long run time between preventive maintenance; up to 12,000 hour core life
- Internal pump means no external air, minimizing potential for contaminants to enter ink stream
- Auto cleaning printhead for fast start-ups, even after extended shutdowns

Built-in productivity

- Dynamic Calibration™ adjusts jetting parameters automatically to help ensure high quality print
- Print 1 to 5 lines of print for a range of coding needs
- Smart Cartridge™ fluid delivery system to virtually eliminate spills and help ensure the correct fluids are being used

Code Assurance

- Multiple password protected access levels to system control menus help avoid unintentional input errors
- Storable print messages with pre-set and calculated fields minimize required user input
- Easy Videojet CLARiSOFT™ and CLARiSUITE® integration allows for remote control of advanced code functionality

Simple usability

- Bright display with WYSIWYG and function keys for easy operation
- Store up to 100 complex messages for easy recall – store even more messages using a standard USB memory stick
- User levels to separate operation from installation and maintenance

Videojet® 1520

Continuous Inkjet

Line speed capability

Can print 1 to 5 lines of print at speeds of up to 914ft./min. (278.6m/min.) (10 characters per inch, single line of print)

Font matrix configuration

Single-line: 5x5, 5x7, 7x9, 8x12, 11x16, 17x24, 25x34
Twin-line: 5x5, 5x7, 7x9, 8x12, 11x16
Tri-line: 5x5, 5x7, 7x9
Quad-line: 5x5, 5x7
Five-line: 5x5

Linear bar codes

UPC A&E; EAN 8 & 13; Code 128 A, B & C;
UCC/EAN 128; Code 39; Code 93; Interleaved 2 of 5

DataMatrix codes

10x10, 12x12, 14x14, 16x16, 18x18, 20x20, 24x24, 34x34

Nominal character height

Selectable from 0.079" (2mm) to 0.40" (10mm), depending on font

Throw distance

Optimal: 0.472" (12mm)
Range: 0.197" (5mm) to 0.591" (15mm)

Keyboard

Membrane style with tactile feedback, including 72 numeric, alphabetic, and special function keys. PC-style layout to approximate international PC convention.

Display

320x240 Bright blue backlit 5.7" LCD display
WYSIWYG onscreen message editing

Custom logo/graphics

Can be created by individual user on printer or PC with optional Videojet Logo Creator software

Character sets

Chinese, Russian/Bulgarian, Turkish/Scandinavian, Greek, Arabic, Japanese/Kanji, Hebrew, Korean, East European and European/American

Languages and interface options

English, Arabic, Bulgarian, Czech, Danish, Dutch, Finnish, French, German, Greek, Hebrew, Hungarian, Italian, Japanese, Korean, Norwegian, Polish, Portuguese, Russian, Simple Chinese, Spanish, Swedish, Thai, Traditional Chinese, Turkish and Vietnamese

Data interface

RS232, RS485 and ethernet (standard)
CLARISOFT™/CLARINET™ via RS232 and ethernet
Message management via USB

Message storage

100 complex messages; unlimited storage using USB

Environmental protection

IP55 (IP65 option); no plant air required; stainless steel cabinet

Printhead

Heated printhead
Positive air (standard)
Diameter: 1.63" (41.3mm)
Length: 10.62" (269.8mm)

Printhead umbilical

Ultra flexible
Length: 9.84' (3m) optional 19.69' (6m)
Diameter: 0.91" (23mm)
Bend radius: 4.0" (101.6mm)

Make-up fluid consumption

As low as 2.4 ml per hour

Fluids containers

Ink Smart Cartridge™ 0.793 qt. (750ml)
Make-up Smart Cartridge 0.793 qt. (750ml)

Temperature/humidity range

32°F to 122°F (0°C to 50°C)
0% to 90% RH non-condensing
With selected inks; actual installation may require additional hardware based on production environment conditions

Electrical requirements

Nominal supply power 100-120 / 200-240 VAC at 50/60 Hz, 120 W

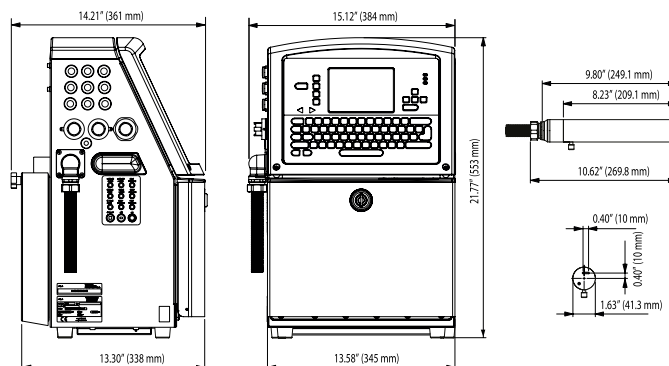
Approximate weight

Unpacked and dry: 46.2lbs. (21kg)

Options

Dry air kit for high humidity (requires plant air)
60 or 70 micron nozzle
Food grade version
90 degree printhead
Wide range of accessories

(IP65 version shown)



New printer quote 866-871-3226

Order supplies shop.videojet.com

Call **800-843-3610**

Email info@videojet.com

or visit www.videojet.com

Videojet Technologies Inc.

1500 Mittel Blvd. Wood Dale IL 60191 / USA

©2019 Videojet Technologies Inc. — All rights reserved.

Videojet Technologies Inc.'s policy is one of continued product improvement. We reserve the right to alter design and/or specifications without notice.

Part No. SL000524
ss-1520-us-0919
Printed in U.S.A.

