



Continuous Inkjet

# Videojet® 1520

**Simpler operation. Less maintenance. Superior print quality. The Videojet 1520 is engineered to keep your line up and running longer.**

Designed for customers who print multiple shifts per day, the Videojet 1520 Continuous Inkjet printer provides up to 12,000 hours of production before required preventive maintenance. The 1520 is a highly flexible platform specifically designed for medium duty coding applications. Its advanced performance features make it a benchmark performer for production professionals across the globe.



## Uptime Advantage

- CleanFlow™ technology resists ink buildup that can cause ordinary inkjet printers to shut down
- Long run time between preventive maintenance; up to 12,000 hour core life
- Internal pump means no external air, minimizing potential for contaminants to enter ink stream
- Auto cleaning printhead for fast start-ups, even after extended shutdowns

## Built-in productivity

- Dynamic Calibration™ adjusts jetting parameters automatically to help ensure high quality print
- Print 1 to 5 lines of print for a range of coding needs
- Smart Cartridge™ fluid delivery system to virtually eliminate spills and help ensure the correct fluids are being used

## Code Assurance

- Multiple password protected access levels to system control menus help avoid unintentional input errors
- Storable print messages with pre-set and calculated fields minimize required user input
- Easy Videojet CLARiSOFT™ and CLARiSUITE® integration allows for remote control of advanced code functionality

## Simple usability

- Bright display with WYSIWYG and function keys for easy operation
- Store up to 100 complex messages for easy recall – store even more messages using a standard USB memory stick
- User levels to separate operation from installation and maintenance

# Videojet® 1520

## Continuous Inkjet

### Line speed capability

Can print 1 to 5 lines of print at speeds of up to 914ft./min. (278.6m/min.) (10 characters per inch, single line of print)

### Font matrix configuration

Single-line: 5x5, 5x7, 7x9, 8x12, 11x16, 17x24, 25x34  
Twin-line: 5x5, 5x7, 7x9, 8x12, 11x16  
Tri-line: 5x5, 5x7, 7x9  
Quad-line: 5x5, 5x7  
Five-line: 5x5

### Linear bar codes

UPC A&E; EAN 8 & 13; Code 128 A, B & C;  
UCC/EAN 128; Code 39; Code 93; Interleaved 2 of 5

### DataMatrix codes

10x10, 12x12, 14x14, 16x16, 18x18, 20x20, 24x24, 34x34

### Nominal character height

Selectable from 0.079" (2mm) to 0.40" (10mm), depending on font

### Throw distance

Optimal: 0.472" (12mm)  
Range: 0.197" (5mm) to 0.591" (15mm)

### Keyboard

Membrane style with tactile feedback, including 72 numeric, alphabetic, and special function keys. PC-style layout to approximate international PC convention.

### Display

320x240 Bright blue backlit 5.7" LCD display  
WYSIWYG onscreen message editing

### Custom logo/graphics

Can be created by individual user on printer or PC with optional Videojet Logo Creator software

### Character sets

Chinese, Russian/Bulgarian, Turkish/Scandinavian, Greek, Arabic, Japanese/Kanji, Hebrew, Korean, East European and European/American

### Languages and interface options

English, Arabic, Bulgarian, Czech, Danish, Dutch, Finnish, French, German, Greek, Hebrew, Hungarian, Italian, Japanese, Korean, Norwegian, Polish, Portuguese, Russian, Simple Chinese, Spanish, Swedish, Thai, Traditional Chinese, Turkish and Vietnamese

### Data interface

RS232, RS485 and ethernet (standard)  
CLARISOFT™/CLARINET™ via RS232 and ethernet  
Message management via USB

### Message storage

100 complex messages; unlimited storage using USB

### Environmental protection

IP55 (IP65 option); no plant air required; stainless steel cabinet

### Printhead

Heated printhead  
Positive air (standard)  
Diameter: 1.63" (41.3mm)  
Length: 10.62" (269.8mm)

### Printhead umbilical

Ultra flexible  
Length: 9.84' (3m) optional 19.69' (6m)  
Diameter: 0.91" (23mm)  
Bend radius: 4.0" (101.6mm)

### Make-up fluid consumption

As low as 2.4 ml per hour

### Fluids containers

Ink Smart Cartridge™ 0.793 qt. (750ml)  
Make-up Smart Cartridge 0.793 qt. (750ml)

### Temperature/humidity range

32°F to 122°F (0°C to 50°C)  
0% to 90% RH non-condensing  
*With selected inks; actual installation may require additional hardware based on production environment conditions*

### Electrical requirements

Nominal supply power 100-120 / 200-240 VAC at 50/60 Hz, 120 W

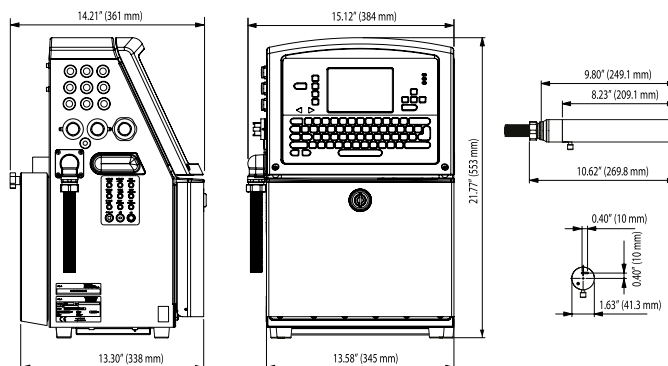
### Approximate weight

Unpacked and dry: 46.2lbs. (21kg)

### Options

Dry air kit for high humidity (requires plant air)  
60 or 70 micron nozzle  
Food grade version  
90 degree printhead  
Wide range of accessories

*(IP65 version shown)*



CERTIFIED  
ISO 9001  
DOCUMENTED QUALITY



Call **+971 4 550 8756**  
Email **MEA.Sales@videojet.com**  
or visit **www.videojet.ae**

Videojet Technologies Inc.  
Dubai Healthcare City Building #34  
3rd floor, P.O. Box 71569  
Dubai, United Arab Emirates

© 2019 Videojet Technologies Inc. — All rights reserved.

Videojet Technologies Inc.'s policy is one of continued product improvement. We reserve the right to alter design and/or specifications without notice.

Part No. SL000524  
ss-1520-mea-0919

