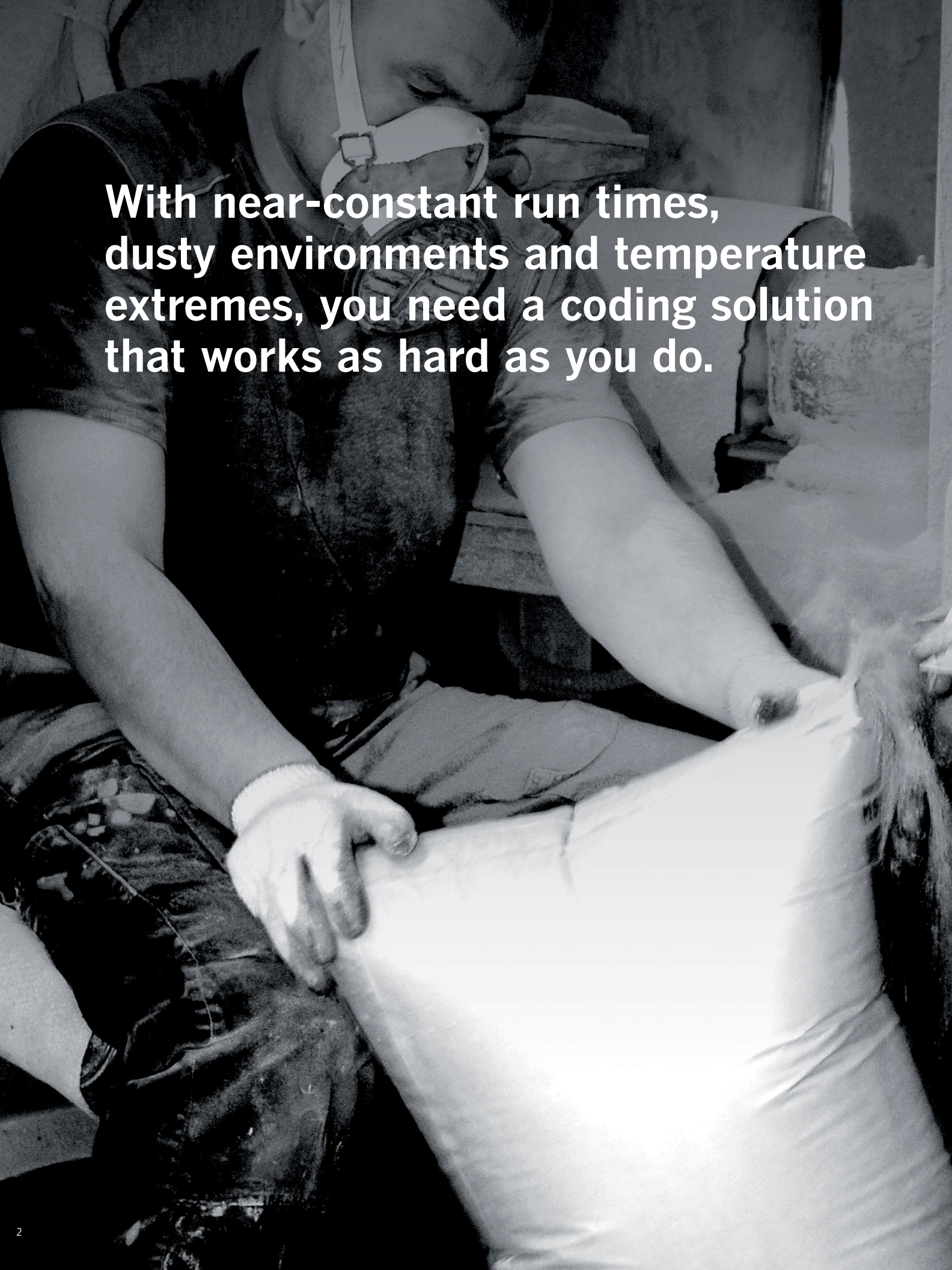


A photograph of an industrial factory setting. In the foreground, a conveyor belt system with multiple rollers is transporting several large, rectangular, light-colored building material panels. A marking machine is positioned above the conveyor, with a red laser line visible on the surface of one of the panels. The background shows more industrial equipment, including a control panel with various buttons and lights, and a pair of blue work gloves resting on a surface. The overall scene is dimly lit, emphasizing the machinery and the flow of materials.


Marking, coding and systems solutions

Building Materials





**With near-constant run times,
dusty environments and temperature
extremes, you need a coding solution
that works as hard as you do.**



Harsh environments can take their toll on your equipment, including your printer. Your printers need to be rugged and dependable to keep up with your production.

Achieving consistent code quality over the useful lifetime of your printer is not only possible, but with robust solutions from Videojet, you can minimize your maintenance, too.

Supported by the industry's largest global support team of technology and customer specialists, Videojet has the expertise to help you design, integrate, train and service the optimal coding solution for your production line.

Uptime advantage

With 24 hour a day, 7 day a week operations, we know you cannot afford coder-related downtime. Featuring printers with advanced IP ratings and auto-purge technology, we've engineered our systems to survive in challenging production environments.

Code Assurance

Videojet offers an array of printers with rules-based software and network communication options to virtually eliminate coding errors. This helps you to get the right code on the right product, time after time.

Built-in productivity

Designed with our exclusive CLARiTY™ software, Videojet offers coding solutions with a diagnostics tool that empowers users to quickly identify and troubleshoot issues if they should arise.

Simple usability

No matter which Videojet coding technology you employ, your operators will use the same intuitive graphical user interface. This simplifies operation and allows you to spend more time focusing on the most critical aspects of your business.

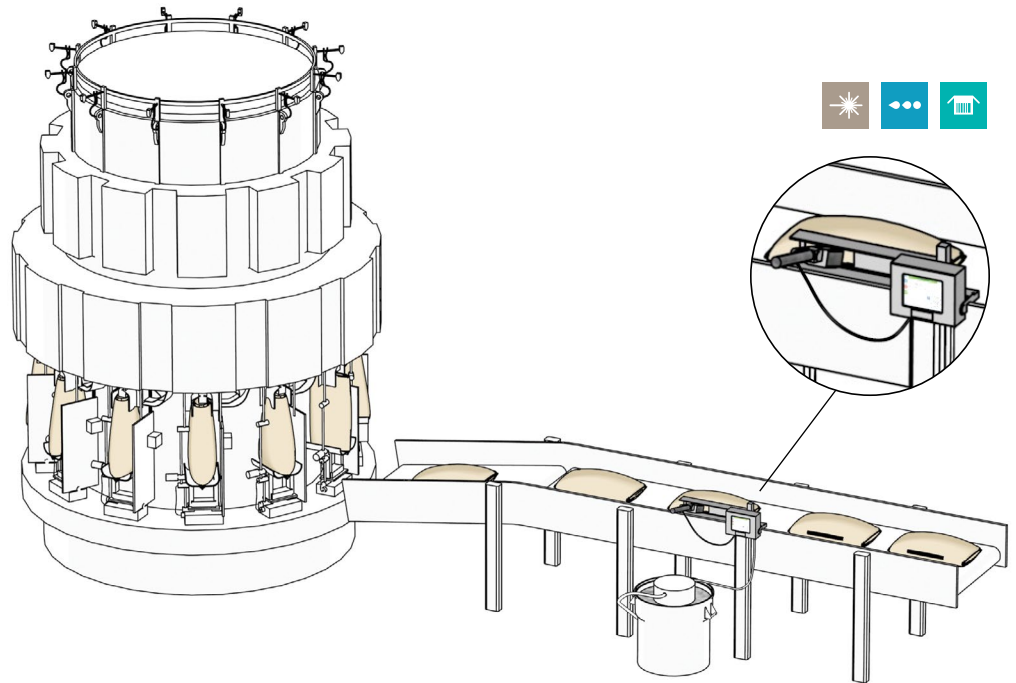
Expertise for seamless integration

With over 40 years of industry-relevant experience, we understand the many intricate details of integration. Challenges can be physical, in terms of space and the need for mounting accessories, or software and communications-based. We work closely with machinery manufacturers to make sure that our coding solutions integrate seamlessly into your lines. Additionally, Videojet Service and Technical Support teams work in unison to help ensure that installation is done right at delivery, and they also provide support throughout the life of the printer.

Coding technologies

Weighing control and bag filler

Videojet printers are compatible with continuous operation roto-packers and offer maintenance-minimizing features for dusty environments that experience temperature fluctuations. Moreover, our bulk fluid containers allow our printers to run for longer periods of time, lessening intervals in between required fluids replacement.



Laser Marking Systems

A beam of infrared light focused and steered with a series of carefully controlled small mirrors to create marks where the heat of the beam interacts with the packaging surface.



Thermal Inkjet (TIJ)

Ink-based, non-contact printing using heat and surface tension to move ink onto a package surface. Generally used to print 2D DataMatrix and other bar codes.



Continuous Inkjet (CIJ)

Fluid based, non-contact printing of up to five lines of text, linear and 2D bar codes, or graphics, printed on a variety of packaging types via traversing systems.



Thermal Transfer Overprinting (TTO)

A digitally controlled printhead precisely melts ink from a ribbon directly onto flexible films to provide high resolution, real-time prints



Large Character Marking (LCM)

Ink-based, non-contact printing of tall codes, including alphanumeric logos, and bar codes in large sizes, primarily for cases



Label Printer Applicator (LPA)

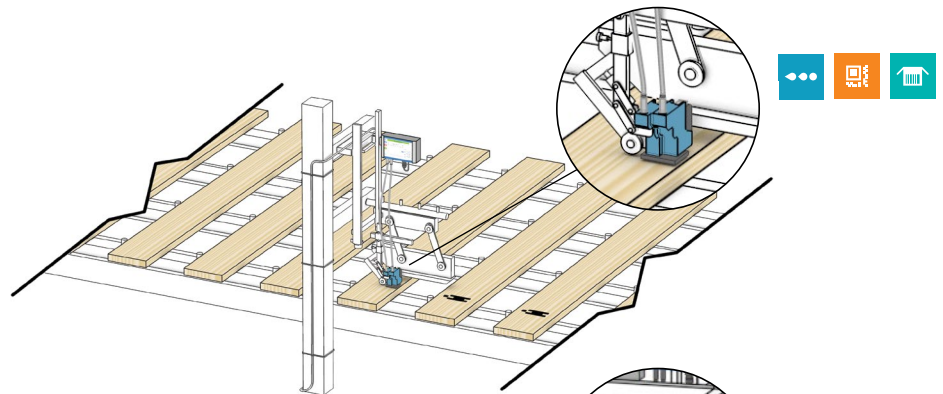
Prints and places labels of various sizes on multiple package types

Coding technologies for your packaging type:

Printing application	Laser	TIJ	CIJ	TTO	LPA	LCM
Bags	✓		✓			✓
Wood products and tile		✓	✓			✓
Extrusions	✓		✓			
Flexible packages			✓	✓		
Rigid packages	✓		✓			
Cardboard	✓	✓			✓	✓

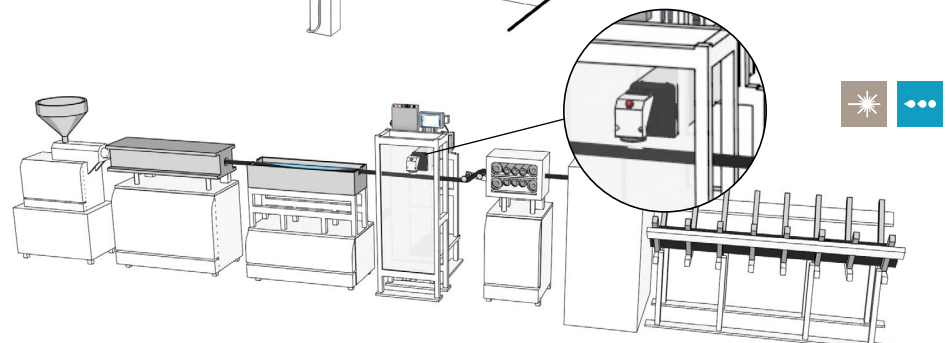
Wood products and tile

While manufacturing processes of wood products and floor tile vary, they share the challenges of a tough production environment. These products require robust coding solutions that provide crisp, consistent codes with minimized and simplified maintenance for when printers aren't easily accessible on the line.



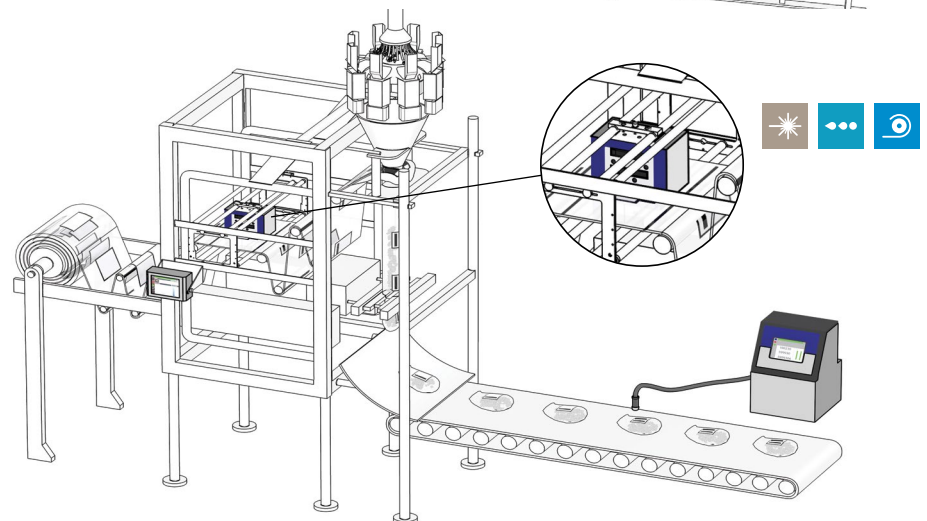
Extrusion

Extrusion facilities are continuous operations and are challenged by hot and dusty conditions. Videojet printers are designed to meet these challenging demands and help keep your lines running.



Vertical form fill and seal

Videojet printers are capable of printing variable information including, but not limited to, logos, product names, and bar codes directly onto flexible film. Thermal Transfer Overprinting (TTO) enables you to use generic standard film (vs. pre-printed films) with product-specific content printed on-demand.



Bags

Reliable, continuous print on paper and plastic bags

When bagging powdered materials, there can be variability with finished product placement on your conveyors. This can create distorted codes due to inconsistent throw distance from bag to bag. Equipped with the right accessories and the know-how for seamless installation on your line, Videojet experts can help you with optimal printer placement on your conveyor for clean and consistent codes.



Large Character Marking (LCM)

- Large character size marking at high line speeds
- Pre-load job product codes or network your printers to minimize changeover times and entry errors



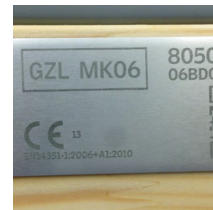
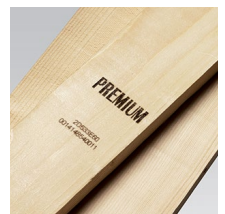
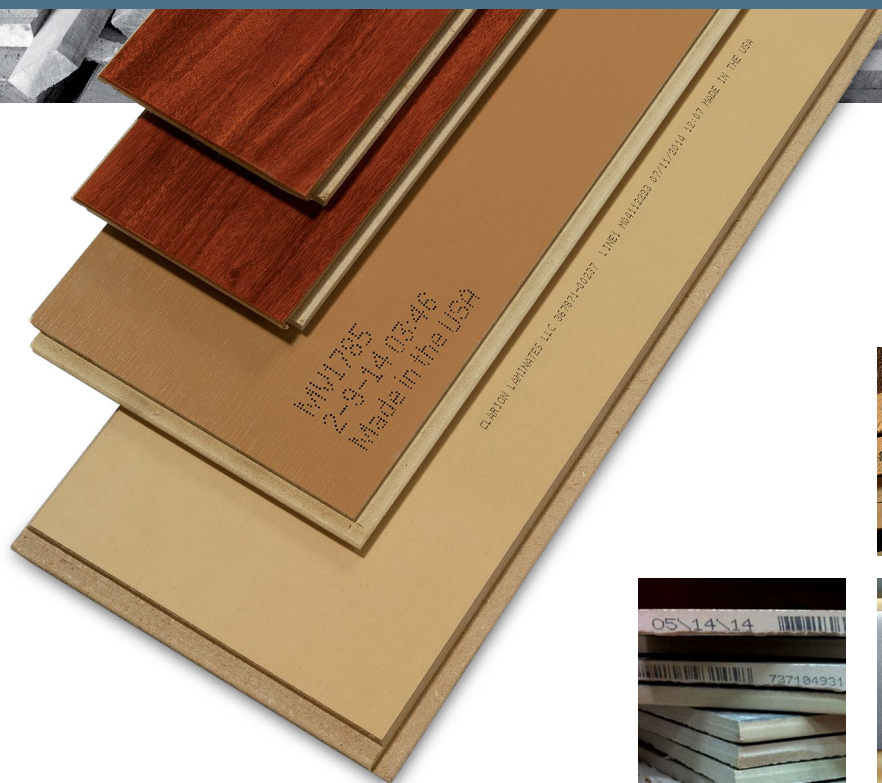
Continuous Inkjet (CIJ)

- Options with CleanFlow™ technology and IP65 rating designed to help minimize maintenance
- Bulk ink and make-up systems reduce operator/printer interaction

Wood products and tile

Print a variety of text, characters or logos in hot, non-stop production environments

Regardless of whether you are printing lot, date or bar codes, moisture levels, panel grades, inspector ID information, species or batch data, coding equipment selection is largely driven by the demands of your production environment. The ease of maintenance must also be taken into consideration when bulky equipment limits accessibility to your printer. Videojet offers rugged printer options that are designed for dependability, minimized maintenance, and ease of use.



Continuous Inkjet (CIJ)

- Variable throw distance helps reduce printhead damage due to uneven lumber surfaces
- High resolution white and pigmented inks in black, blue, red, and yellow

Thermal Inkjet (TIJ)

- Simple and cost-effective change-outs of the cartridge provides a new printhead with each replacement. This solution can be used for lumber substrates where wood silvers can damage the printhead.
- High resolution bar codes and logos

Large Character Marking (LCM)

- Robust industrial printer design with IP65 cabinets available for harsh production environments
- Available micro-purge technology helps reduce required maintenance and printer damage due to operators forgetting to purge printheads

Extrusions

Code quality and your production environment

With the challenges of printing consistent codes in harsh environments and the cost and effort required to address operator-related coding mistakes, coding errors can quickly become a headache. Videojet offers exclusive technologies such as CleanFlow™ and Dynamic Calibration™ that can help you print clean, consistent codes, even in challenging production environments. And our Code Assurance solutions can help simplify operator-to-printer interaction, and better equip operators to achieve the right code on the right product, time after time.

Helping our customers to address operator challenges, Videojet Code Assurance solutions can remove the guesswork from coding, helping to minimize human error and scrap. We also offer specialty, fast-dry, heat and oil-resistant inks for coding in tough environments.



Continuous Inkjet (CIJ)

- Pigmented inks provide high contrast on dark backgrounds, improving legibility
- Dynamic Calibration™ feature adjusts to temperature variation at the production site, helping to ensure consistent code quality

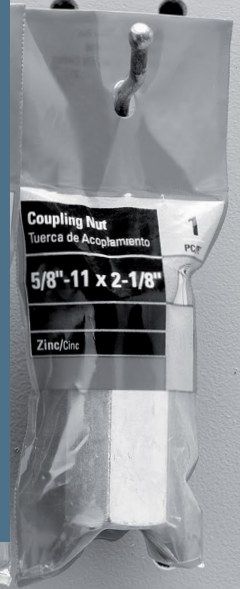
Laser Marking Systems

- Sharp, clear codes with high contrast. Highly attractive, gold-colored codes are possible on extruded PVC.
- Fiber laser marking system is able to code on metal surfaces

Flexible packages

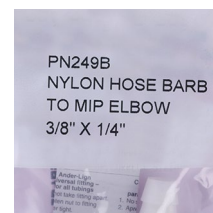
Help reduce costs and increase packaging line flexibility

Printing product or part number information directly on the bag can help reduce pre-printed inventory holding costs, long lead times, and simplify production changeovers. By using generic film and coding variable information on demand with a Videojet Thermal Transfer Overprinting solution, you can help reduce packaging costs and increase productivity.



Thermal Transfer Overprinting (TTO)

- Ideal for printing dates, logos, bar codes, other product information and graphics on generic film
- Many different ribbon colors available
- Produces high resolution codes (300 dots per inch/ 12 dots per mm) on flexible film with no solvents
- Patented clutchless ribbon drive helps minimize maintenance-related downtime and maximizes ribbon efficiency



Rigid packages

Code on almost anything

Due to their content and application constraints, many building materials packages, especially the ones designed for DIY, come in a variety of specialized containers. In the retail space, packaging design often differentiates your products and can be integral to your success. Videojet offers robust coding solutions to address the unique needs of a wide range of specialty packaging types.

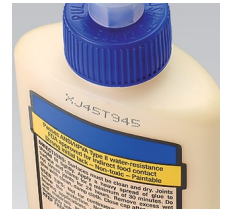


Continuous Inkjet (CIJ)

- Broadest portfolio in the industry at over 175 ink offerings including odorless and non-MEK inks
- Easy integration onto your line for printing on the shoulder, top or bottom of a wide variety of substrates

Laser Marking Systems

- Clean, crisp codes on plastic tubes, metal, and HDPE with UV
- Etch text, numbers, special characters and logos, even in small spaces, with curved or linear orientations



Cardboard

Empower your supply chain and reduce costs

Printing lot, batch and supplier-specific information on your external packaging creates a data-rich traceability point that is visible to your warehouse, wholesaler and retailer. With solutions to assist with tracking your product throughout your supply chain, Videojet offers scalable software and production-line control systems for nearly every material and production environment. Moreover, there are cost-savings opportunities with print on demand solutions for exterior packaging – helping to reduce the costs of using and maintaining pre-printed cases.



Thermal Inkjet (TIJ)

- High resolution, ink-based printing with no wear parts, minimizing maintenance and related downtime
- Solution with MEK-based inks helps ensure excellent code adhesion on non-porous substrates



Laser Marking Systems

- Comprehensive portfolio of laser accessories, lenses and beam turning units for easy integration
- Especially useful for water-resistant coated boxes as it enables clear, dark printing without damage to protective coatings



Large Character Marking (LCM)

- Bar code scanner available to enter code information directly from production order into printer
- Message capacity to handle multiple jobs with easy and fast code selection, helping to minimize changeover time

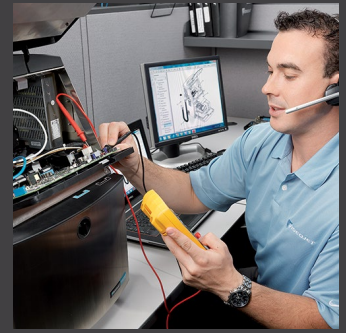
Label Printer Applicator (LPA)

- High quality thermal transfer coding direct to labels
- Automated application offers greater speed, accuracy, and error prevention than hand labeling



Global Service offering

Broad service offering built with **you in mind**



Start-up

The perfect introduction to peace of mind, ensuring a smooth transition during the adoption of new printers

Preventive

While your team focuses on production, our technicians help safeguard your equipment with regular maintenance visits

Protective

For a team capable of general maintenance, take advantage of break & fix coverage plus wear parts replacement

Comprehensive

Let us take care of everything and enjoy 100% coverage to proactively optimize printer performance

	Start-up	Preventive	Protective	Comprehensive
24/7 technical phone support	☐	☐	☐	☐
Preventive maintenance	☐	☐		☐
Break-fix coverage	☐		☐	☐
Wear parts replacement			☐	☐
Priority service	☐		☐	☐
Basic operator training	☐			☐
Consultative services and application support	☐			☐
Optional equipment leasing available			☐	☐

Further details of all service offerings can be found in our product specification sheets and any professional quotation supplied by Videojet.

You will benefit from:

Performance advantage

Properly maintained printers experience less downtime, last longer, and increase operator productivity. Rely on Videojet certified service technicians to help maintain your coding equipment in peak operating condition.

Financial advantage

These options offer predictable service costs, helping to safeguard your budgets from potential equipment failures while locking future services at current prices.

Service advantage

Customers get fast, prioritized, high-quality service from Videojet technicians. With the largest field service team in the industry, our trained experts are well positioned to respond quickly to your needs.

Technical Training

Optional training programs designed to improve productivity and help eliminate coding errors



	User instruction	Advanced operator	Basic maintenance	Advanced maintenance
Basic operation	☐	☐	☐	☐
Application specific operation		☐	☐	☐
Basic repairs			☐	☐
Preventive maintenance			☐	☐
Advanced repair & printing theory				☐
Duration	2 hours	4 hours	1 day	2-3 days*

What you can expect from our training...

Your choice of location

Technical training can be delivered both at your facility or at a Videojet Training Center. Training at your facility will bring instant customization for your printing applications and environment. Training at a Videojet Training Center will enable your employees to minimize distractions and remain focused on learning.

Customization for your team and schedule

Based on technical capability and interaction with the printers, students will receive instructions customized for their job and their needs. Multi-shift and multi-technology options are also available.

Focus on your operational challenges

Both trouble-shooting techniques and maintenance best practices covered in maintenance training will help your team to quickly return the printer to production when issues are encountered, and maximize uptime in the long term.

Dedicated training professionals

Videojet Maintenance Training is developed and delivered by a group of certified full-time Videojet training professionals with in-depth technical expertise, extensive operational knowledge and versatile teaching techniques.

Technical capability building

Students will gain 'hands-on' experience in identifying, analyzing and addressing technical issues in an operational environment. An evaluation will take place to measure training effectiveness and knowledge transfer to enable your management team to assess your maintenance staff's level of competence.

Videojet will provide manuals, parts, tools, and even dedicated training equipment, upon request, to minimize the impact on your production. Additional charges may apply.

* Duration of Advanced maintenance course dependent upon the Videojet technology being utilized.

Videojet solutions

Robust, reliable and easy-to-use printers for your application

Coding in the building materials industry is not necessarily straightforward. Dust and temperature extremes can lead to poor quality printing and downtime. With near non-stop production and equipment that allows limited access to your printers, it is imperative that your printers and your lines keep running. Also important to helping protect the profitability of your operation is preventing operator code entry errors, maximizing line OEE, and managing your equipment's total cost of ownership. With a robust offering of varying technologies, Videojet can help you meet these challenges with a wide array of configurable, ease-to-use and maintain coding solutions.

Continuous Inkjet (CIJ)

Most versatile of all variable technologies, combined with a portfolio of over 175 inks, CIJ prints on nearly any material and shape.



Laser Marking Systems

Improve the contrast and readability of your codes by permanently etching the material surface without physical contact or any need for solvents or extra supplies.



Thermal Inkjet (TIJ)

Ideal for high quality text, images and bar codes on cardboard, shelf-ready boxes, and wood. Helps ensure that complex and detailed codes are clearly readable for your downstream partners and consumers.



Thermal Transfer Overprinting (TTO)

Suitable for your flexible packaging applications, TTO gives you high quality codes and images, including bar codes, product names and logos, for example, in a variety of colors.



Large Character Marking (LCM)

Solution for coding on bags and rigid packages requiring big fonts. Effective means of reducing pre-printed box and label inventory and related costs by printing your supply chain information directly to case.



Label Print Applicator (LPA)

When your customers require labels, or you are using darker corrugated cases, LPA automatically applies labels to cases to help ensure high accuracy across a range of substrates.



Supplies and accessories

Configurable solutions for your application

Every coding application is different. This is why Videojet offers a comprehensive selection of supplies and accessories as well as the support you need to identify and integrate an ideal solution for your unique operation.

With a wide range of ribbons, inks and fluids, Videojet has spent over 40 years developing specialty consumables that are suitable for building materials applications. In addition, we work directly with major OEMs and have a wide range of accessories for all printing technologies to seamlessly integrate our printers into your production lines.



Bulk ink systems

Specially developed inks and fluids

Videojet offers large container formats that are ideal for long production lines and nearly non-stop manufacturing. Our bulk ink systems allow operators to spend less time refilling ink, so they can focus on other line priorities. With a large selection of specialty inks, we have solutions for nearly every application.



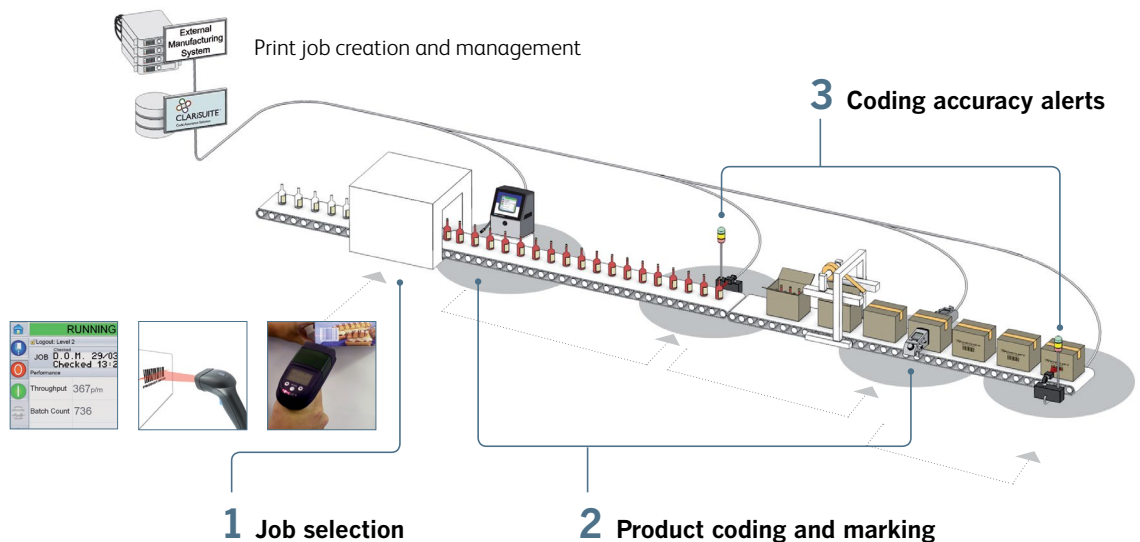
Accessories

Configurable accessories

From configurable dust-resistant covers and product guidance rails, to fume extractors and beam turning units, Videojet has accessories for a worry-free installation. We'll partner with you to help optimize the integration and performance of your printer.

Software

Increase availability and quality by taking print job creation and management off the production floor.

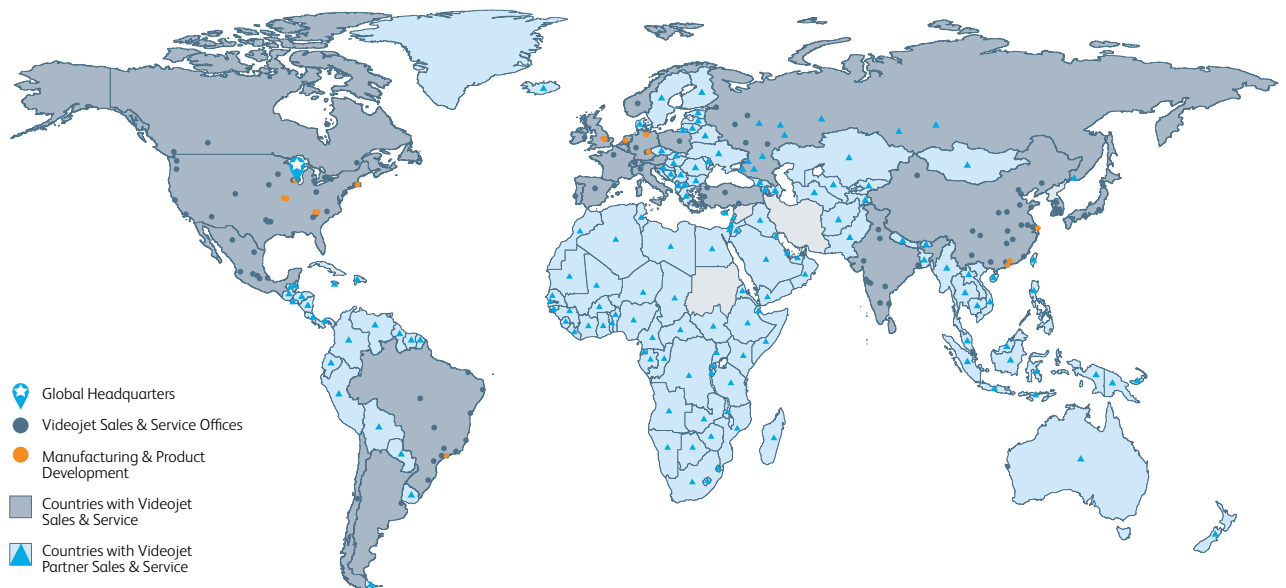


Peace of mind comes as standard

Videojet Technologies is a world-leader in the product identification market, providing in-line printing, coding, and marking products, application specific fluids, and product life cycle services.

Our goal is to partner with our customers in the consumer packaged goods, pharmaceutical, and industrial goods industries to improve their productivity, to protect and grow their brands, and to stay ahead of industry trends and regulations. With our customer application experts and technology leadership in Continuous Inkjet (CIJ), Thermal Inkjet (TIJ), Laser Marking, Thermal Transfer Overprinting (TTO), case coding and labeling, and wide array printing, Videojet has more than 400,000 printers installed worldwide.

Our customers rely on Videojet products to print on over ten billion products daily. Customer sales, application, service and training support is provided by direct operations with over 4,000 team members in 26 countries worldwide. In addition, Videojet's distribution network includes more than 400 distributors and OEMs, serving 135 countries.



Call **+971 4 550 8756**
Email **MEA.Sales@videojet.com**
or visit **www.videojet.ae**

Videojet Technologies Inc.
Dubai Healthcare City Building #34
3rd floor, P.O. Box 71569
Dubai, United Arab Emirates

© 2021 Videojet Technologies Inc. — All rights reserved.
Videojet Technologies Inc.'s policy is one of continued product improvement.
We reserve the right to alter design and/or specifications without notice.
Printed in U.S.A.
SL000615

