



Continuous Inkjet

Videojet® 1580 C

The 1580 C delivers industry-first performance using soft-pigmented contrast inks, providing superior uptime and enabling you to achieve your marking and coding objectives today, and as they evolve.

A contrast printer that performs and behaves like a dye-based printer, the Videojet 1580 C features innovations in hydraulics, printhead, and cartridge designs that bring running time and maintenance intervals to the same level as a standard continuous inkjet (CIJ) printer. The 1580 C uses similar filters as the rest of our CIJ range, with the same cleaning cycles and preventive maintenance as a dye-based printer. Planned maintenance can take place every 5000 hours, with no need to reduce intervals because of using soft-pigmented inks. With Videojet OPMTIMiZE software, the 1580 C can assess printer efficiency and provide suggestions for improvement.



Uptime Advantage

- Increase uptime with an additional 8 hours minimum of run time using a make-up reserve tank that protects your production under normal operating conditions
- Patented cartridge design helps to reduce common faults by alleviating ink pigment settling in the cartridge and blocking the orifice, which can result in printhead clogging
- Videojet Dynamic Calibration automatically maintains superior print quality, for optimum uptime under changing environmental conditions

Code Assurance

- Lower the opportunity for coding errors with intelligent message creation functionality
- Automate code content without the need for operator interaction with user definable message rules
- Maintain consistent quality and contrast over time with codes that remain readable and don't fade over time

Simple Usability

- Eliminate potential user errors through a Videojet SIMPLICiTY™ interface that greatly reduces operator printer interactions
- Easy to operate tablet-inspired 10" touchscreen display that is intuitive to you and translated to native language
- Customize interfaces with built-in wizards, and access guided video tutorials for routine printer tasks

Built-in Productivity

- Analyze your individual use patterns and receive printer improvement opportunities via on-screen alerts
- Webserver capability allows access to printers via supported web browsers on host computers

Videojet® 1580 C

Continuous Inkjet

Line speed capability

Can print 1 to 5 lines of print at speeds of up to 889fpm (271mpm)
(10 characters per inch, single line of print)

Font matrix configuration

Single-line: 5x5, 5x7, 7x9, 9x12, 10x16, 16x24, 25x34
Twin-line: 5x5, 5x7, 7x9, 9x12, 10x16
Tri-line: 5x5, 5x7, 7x9
Quad-line: 5x5, 5x7
Five-line: 5x5

Linear bar codes

UPC A&E; EAN 8 & 13; Code 128 A, B & C; UCC/EAN 128;
Code 39; Interleaved 2 of 5

QR codes

21x21, 25x25, 29x29, 33x33
Error correction mode L, M, Q or H

DataMatrix codes

10x10, 12x12, 14x14, 16x16, 8x18, 18x18, 20x20, 22x22, 24x24, 12x26,
26x26, 8x32, 32x32, 12x36, 16x36, 16x48

Nominal character height

Selectable from 0.079" (2mm) to 0.40" (10mm), depending on font

Throw distance

Optimal: 0.472" (12mm)
Range: 0.197" (5mm) to 0.591" (15mm)

User interface

10.4" high-response TFT-LCD touch screen
WYSIWYG touch to edit message editing

Custom logo/graphics

Can be created via optional CLARISOFT™ software
(CLARISOFT Package Coding Design software required for advanced functionality)

Character sets

Chinese, Russian/Bulgarian, Turkish/Scandinavian, Romanian, Greek, Arabic,
Japanese/Kanji, Hebrew, Korean, East European and European/American

Languages and interface options

English, Arabic, Bulgarian, Czech, Danish, Dutch, Finnish, French, German, Greek,
Hebrew, Hungarian, Italian, Japanese, Korean, Norwegian, Polish, Portuguese,
Russian, Serbian, Simple Chinese, Spanish, Swedish, Thai, Traditional Chinese, Turkish
and Vietnamese

Input/output

Product detect input
Encoder input
Beacon (Alarm light) output
Relay output
USB 2.0 (2x)
Ethernet LAN™
Built-in Wi-Fi

Message storage

More than 250 complex messages

Environmental protection (no plant air required)

IP55 standard, stainless steel cabinet
IP65 protected electronics (optional with dust protection kit)

Printhead

Heated printhead
CleanFlow™ including positive air, no plant air required (optional)
Diameter: 1.63" (41.3mm)
Length: 10.62" (269.8mm)

Printhead umbilical

Ultra flexible
Length: 9.84' (3m) optional 19.69' (6m)
Diameter: 0.91" (23mm)
Bend radius: 4.0" (101.6mm)

Make-up fluid consumption

5.0ml per hour (MEK at 20°C)

Fluids containers

Ink Smart Cartridge™ 0.740 qt. (700ml)
Make-up Smart Cartridge™ 0.793 qt. (750ml)

Temperature/humidity range

32°F to 122°F (0°C to 50°C)
0% to 90% RH non-condensing
With selected inks; actual installation may require additional hardware based on production environment conditions

Electrical requirements

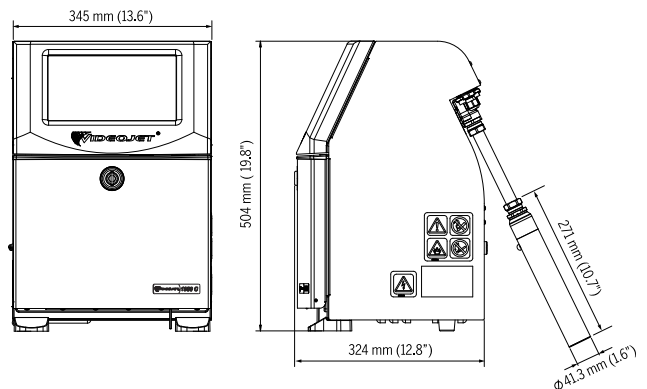
Nominal supply power 100-240 VAC at 50/60 Hz, 70W

Approximate weight

Unpacked and dry: 46.3lbs. (21kg)

Options

Dust protection kit with CleanFlow™ technology
Dry air kit for high humidity (requires plant air)
RS232 connector kit (USB to Serial DIN-5 male adapter)
SIMPLICiTY™ Workflow Modules
Wide range of accessories
90 degree printhead



Call +254-20-3893800

Email marketing.kenya@videojet.com

or visit www.videojet.co.ke

Videojet Technologies
Keystone Park, Block A,
5 Riverside Drive, Westlands,
Nairobi, Kenya.

© 2022 Videojet Technologies Inc. — All rights reserved.

Videojet Technologies Inc.'s policy is one of continued product improvement.
We reserve the right to alter design and/or specifications without notice.

Part No. SL000715
ss-1580-c-no-cell-en-ke-1222

