



Thermal Inkjet

Wolke m610[®] touch

The Wolke m610 touch inkjet printer offers an unparalleled combination of functionality and simplicity in one printer.

Designed to address the needs of both Life Science and industrial users, the Wolke m610 touch thermal inkjet (TIJ) printer is the ideal coding and marking solution for a range of applications, from serialization to simple date and lot coding. The m610 touch helps customers improve their productivity, quality and efficiency targets with features such as: automatic cartridge setup, temperature control and portable ink level tracking. From basic alphanumeric codes to complex bar codes and graphics, the m610 touch has the capability to print a wide range of codes on fast production lines.



Uptime Advantage

- Advanced communications protocol for remote operation and high speed serialization
- Solid state electronics with no moving parts
- No wear items or replacement parts outside of inkjet cartridge replacement
- Temperature control and portable ink level tracking*

Built in Productivity

- High resolution print (up to 600 dpi) suitable for machine vision inspection
- Wide range of bar codes including DataMatrix and stacked symbologies
- Can drive up to four printheads independently or together

Code Assurance

- Template creation software with rules-based message fields
- Color touch screen with WYSIWYG image display reduces set-up errors
- Selectable ink type setting helps ensure the right ink is being used*
- Optional USB scanner for message selection

Simple Usability

- Webserver functionality and four printhead designs to aid line and machine integration
- Intuitive, graphical user interface with easy to learn icon-based controls
- Automatic cartridge recognition and set up*
- Clean, no-mess operation

* Feature available when using authentic Videojet TIJ ink cartridges

Wolke m610[®] touch

Thermal Inkjet

Line Speed / Resolution Capability

Maximum resolution of 600x600 dpi
5-360fpm (1.5-109mpm) at 600x240 dpi
Higher line speeds are possible at lower horizontal print resolutions

Printing Capabilities

Full downloadable font support using TrueType[®] fonts
Fixed, variable and merged text fields
Flexible date/time and shift code formats
Auto best before date calculations
Auto incrementing/decrementing text and counters
Multiple graphic formats supported (up to maximum print area)

Bar Codes

EAN8, EAN13, UPC-A/E, CODE 39, CODE128, EAN128, GS1 DataBar (including 2D composite), DataMatrix, QR, PDF417

Print Cartridge

Maximum of four 12.7mm tall, 600 dpi print cartridges (stacked/stitched or deployed independently)
Features available with authentic Videojet TIJ ink cartridges: auto cartridge recognition and parameter set up, ink batch/lot number tracking; portable ink level tracking and enhanced print speeds

Display

8.4-inch TFT SVGA (800x800) full-color LCD and touch screen
WYSIWYG print preview
Full on-board diagnostics
Three levels of password protection or advanced configurable password protection
Extensive language support (22 in total)

Data Interface

RS232, Ethernet, USB memory stick support, Text Communications Protocols

Controller Dimensions

9.6" (244mm) long
3.6" (92mm) wide
6.7" (170mm) high
Dimensions exclude printhead, accessory cables and power supply connections

Printhead Dimensions

Four printhead options are available with different dimensions to meet line integration requirements. The following dimensions are for the Standard Blue printhead:
4.5" (115 mm) long
4.3" (110 mm) high
2.4" (60 mm) wide (at rub plate)
Dimensions exclude cartridge and cable connections
Red, Green, and Gold printhead dimensions vary in length and height from Blue printhead

Temperature Range

41°F to 113°F (5°C to 45°C)

Electrical Requirements

100-240 VAC 50/60Hz

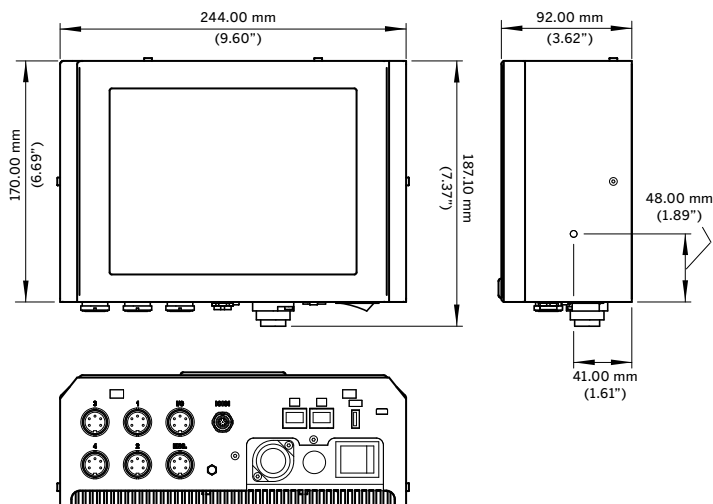
Approximate Weight (Controller)

7.0lbs (3.2kgs)

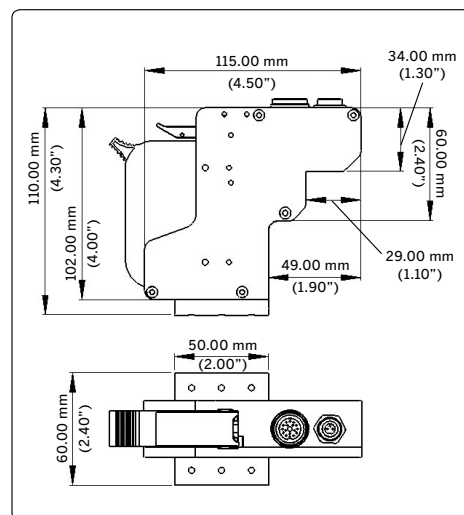
CERTIFIED
ISO 9001
DOCUMENTED QUALITY



Controller



Standard Blue Printhead



Call **+91 75060 01861**

Email **marketing.india@videojet.com**

or visit **www.videojet.in**

Videojet Technologies (I) Pvt. Ltd.
Unit 101 / 102, Rupa Solitaire,
Building No. A-1, Sector -1,
Millennium Business Park, Mahape,
Navi Mumbai - 400710,
Maharashtra, India

© 2018 Videojet Technologies Inc. — All rights reserved.

Videojet Technologies Inc.'s policy is one of continued product improvement. We reserve the right to alter design and/or specifications without notice. TrueType is a registered trademark of Apple Computer, Inc.

Part No. SL000654
ss-m610-touch-en-in-0218

