



Laser Controller

Videojet® Touch Control Software+

The Videojet Touch Control Software+ is engineered to control most Videojet lasers remotely through either the Videojet TU440 laser controller, or from virtually any browser-based device.*

The Videojet Touch Control Software+ (TCS+) offers control at a new level, through an increased choice of devices with which to control most Videojet laser marking systems.

With easy integration into existing systems, the Videojet TCS+ can help save time, reduce cost of development, and minimize user induced coding errors in the food, beverage and pharmaceutical industries.



Uptime Advantage

- Control most Videojet lasers using either the Videojet laser controller, or any browser-based device*
- Increase visibility of laser status, and connect to several Videojet laser marking systems when using a browser-based device
- IP65 design suitable for harsh environments where dust and humidity are a challenge, or where the system is regularly washed down

Built-in productivity

- Flexibility in the choice of devices available to control compatible Videojet laser marking systems, with no need to download additional software
- Line setup wizard for fast integration and new product introduction
- Easy-to-use free form template editor for fast content creation and management

Code Assurance

- Enhanced user access control minimizes user induced errors and downtime
- Automated messages and simple code entry reduce the risk of rework and recalls
- Event logging feature helps to track system changes

Simple Usability

- Laser controller features a color touchscreen interface which is easier to use than previous Videojet models
- Identical look and feel of the user interface helps to ensure seamless operation in production lines
- Highly responsive, modern browser functionality can be used on most Videojet laser marking systems

*Not applicable for Safari browser.

Videojet® Touch Control Software+

Laser Controller

Display

10.1-inch 1024 x 600 full-color LCD touch screen
WYSIWYG print preview

Controller dimensions

10.8" (275mm) wide
7.7" (195mm) high
2.0" (51mm) deep

Connectivity

Connections: 2 x USB 2.0
Laser system connection: LVDS/USB/24 V

Electrical requirements

Power: 24 V from laser system
Max. current: 0.2 A
Cable length: 4m (LVDS/USB/24 V)

Cooling system

Passive

Environment

Temperature 40-105° F (5-40° C)
Humidity 10%-90%, non-condensing

Sealing and safety standards

IP65 with inserted USB protective cap
The electrical safety of the equipment has been tested according to the test defined in:

- EUL62368-1:2014
- CSA C22.2 No. 62368-1:2014
- EN 62368-1:2014/A11:2017

IP65 protection has been tested to IEC 60529

Approximate weight

4.4lbs (2kg)

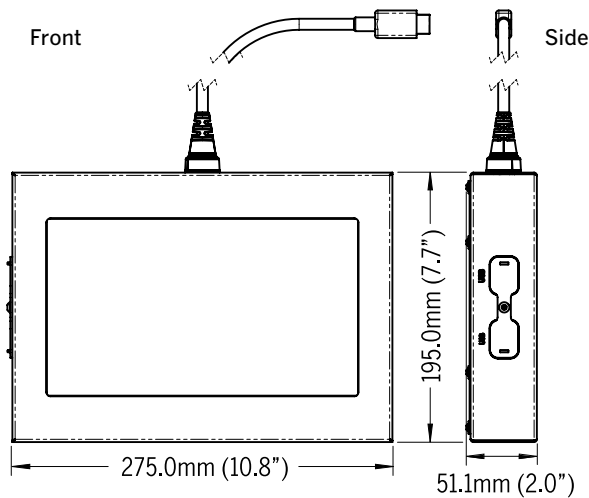
Housing construction

Stainless steel

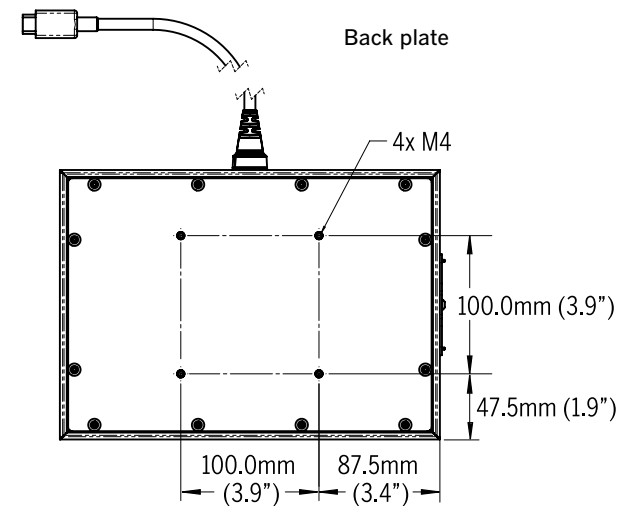
Mounting

4 holes in backplate, compatible with VESA 100

Controller dimensions



Mounting dimensions



Call **+91 75063 45599**

Email **marketing.india@videojet.com**

or visit **www.videojet.in**

Videojet Technologies (India) Pvt. Ltd.
Unit No. S-220 A, 2nd Floor,
Eastern Business District,
L B S Marg, Bhandup West,
Mumbai - 400078,
Maharashtra, India

© 2021 Videojet Technologies Inc. — All rights reserved.

Videojet Technologies Inc.'s policy is one of continued product improvement. We reserve the right to alter design and/or specifications without notice.

Part No. SL000658
ss-tcs-en-in-0721

