



Large Character Inkjet

# Videojet® 2351 and 2361

The 2351 and 2361 large character printers deliver durable, high-quality codes, even on extended runs, with minimal intervention needed.

The Videojet 2351 and 2361 large character inkjet printers are ideal for printing variable information such as bar codes, dates, ingredients, logos and graphics on cases and shipping cartons. Combining high resolution printing with a simple user interface, these printers make message selection and printing simple, quick and virtually error-free. The 2351 and 2361 printers deliver high resolution text, bar codes, and logos up to 2.8" for a pre-printed look. Offering true generic case coding opportunity, they help eliminate costs and inventory associated with pre-printed boxes and labels.



## Uptime Advantage

- Consistent high-resolution text, logo and bar codes, even over extended print runs in dusty environments
- Innovative technology sustains superior print quality, without affecting production speed or throughput
- Ink-based system delivers fast start-up and durable codes that can withstand the distribution chain
- Videojet LifeCycle Advantage™ can help our printer operate at peak efficiency over its operational life

## Built-in productivity

- Minimum intervention needed due to patented micro-purge process and unique return line filter that can be replaced in seconds
- Replace pre-printed cases and labels and print variable information including bar codes, graphics and text on-line
- 180 dpi resolution allows for complete generic case coding with a pre-printed look
- Non-pressurized, non-drip ink canister helps enable ink to be changed without stopping production

## Code Assurance

- Videojet CLARiTY™ interface helps get the right code in the right place on the right product, time after time
- Simple, intuitive software reduces the potential for operator errors
- Easily set message parameters and limit operators to pre-specified data ranges to help avoid errors
- Use of Fluid ID Number (FIN) to help eliminate the possibility of wrong ink being added

## Simple usability

- Self-contained, highly-compact unit saves space and integrates easily
- Multiple printers can be operated from a single leader unit, or can be controlled remotely from a central location
- Simple UI driven internal priming process, eliminating the need for external priming devices
- The air-driven ink system virtually eliminates potential downtime from maintenance on pumps, solenoids and other moving parts

# Videojet® 2351 and 2361

## Large Character Inkjet

### Print Speed

Bar code printing – 0.3 - 66mpm (1.0 to 216ft/min.)  
Alphanumeric text – up to 132mpm (433ft/min.)  
*Speeds are density dependent*

### Print Distance

0.5mm to 4.0mm max. (0.02 - 0.15")

### Print Area (per printhead)

2351: 53mm (H) x 2000mm (L) (2.1" x 78"), 180 dpi  
2361: 70mm (H) x 2000mm (L) (2.8" x 78"), 180 dpi

### Bar Codes

PTI compliant, GS1-128, ITF-14 (UCC case code), SSCC-18, EAN13, UPC-A, UPC-E, EAN8, DataMatrix, Code 128, I 2 of 5, Code 39, others as required

### Operator Interface

Full-color 5.7" LCD touch-panel Videojet CLARiTY™ interface  
Job selection and database support as standard  
WYSIWYG print preview  
Code Assurance  
On-board diagnostics

### Graphics, Images and Logos

Multiple graphic formats supported using CLARiSOFT™

### Printing Capabilities

CLARiSOFT™ Package Coding Design Software  
Full downloadable font support for TrueType® fonts  
Scalable text including rotation, mirror and inverse printing  
Auto real time and date functions  
Auto best before date calculation and concession management  
Auto incrementing & decrementing text, counters and bar codes  
Hour, day of week, day of month, week of year, month of year, year of decade and Arabic date support  
Start of day, shift codes, factory, machine, line ID

### Languages

English, Arabic, Chinese (Mandarin), Danish, Dutch, Finnish, French, Hebrew, Hungarian, Italian, Japanese, German, Greek, Polish, Portuguese, Romanian, Russian, Serbian, Spanish, Swedish, Thai and Turkish

### On-Board Memory

512 MB memory, CompactFlash®

### Inputs / Outputs

Multiple inputs and outputs available. Contact Technical Support or see Service Manual for details.

### Supported Field Types

Fixed, variable (user entered), merged, database, counters, date, offsets, time, paragraph (Text Blocks)

Basic shape drawing (circles, rectangles etc.)

### Communications Protocols

RS-232 point-to-point communications  
Ethernet 10/100 Base TX network communications  
Binary and ASCII comms protocols and Windows drivers  
Host PC mode (Remote Database) using CLARiNET™  
USB connectivity for job download and software updates  
Zebra (ZPL) protocol support

### Connectivity

Up to (4) printheads in leader/follower mode  
Group job selection function and group printer control function

### Network Control Software

CLARiNET™ network management software  
CLARiTY™ Configuration Manager  
'Off-Line' set up and parameter storage available as standard

### Ink/Ink System

Non-pressurized, screw-in canister; 175ml or 365ml  
Colors available: black, blue, green, orange, purple, red, yellow

### Power Supply

90-264VAC, 47-63 Hz, 140VA (max)  
0.7 maximum amps required

### Air Supply

6 Bar, 90psi, dry, uncontaminated

### Operating Temperature

10°-35° C (50°-95° F)

### Weight

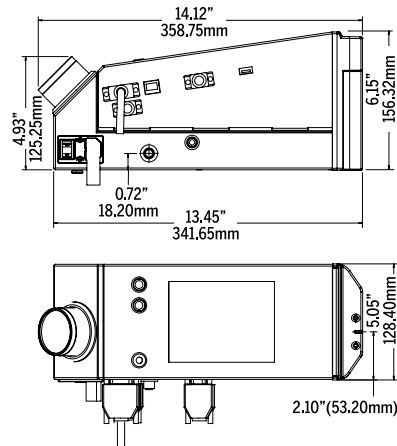
Boxed: 12lbs (5.4kg); Unboxed: 9lbs (4.1kg)

### Approvals

CE/UL60950:2000 (3rd edition)



### Dimensions



Call **+91 75063 45599**

Email **marketing.india@videojet.com**

or visit **www.videojet.in**

Videojet Technologies (India) Pvt. Ltd.  
Unit No. S-220 A, 2nd Floor,  
Eastern Business District,  
L B S Marg, Bhandup West,  
Mumbai - 400078,  
Maharashtra, India

©2020 Videojet Technologies Inc. — All rights reserved.

Videojet Technologies Inc.'s policy is one of continued product improvement. We reserve the right to alter design and/or specifications without notice. TrueType is a registered trademark of Apple Inc., registered in the United States and other countries.

Part No. SL000645  
ss-2351-2361-en-in-0920