



Continuous Inkjet

# Videojet® 1240

From the intuitive interface to smart design features, the Videojet 1240 continuous inkjet (CIJ) printer is designed to be the easy CIJ printer to operate.

Ownership and usability are made easy with the Videojet 1240 continuous inkjet (CIJ) printer.

The Videojet 1240 CIJ printer has been designed to be simple to operate and maintain and is ideal for customers who are looking for the maximum functionality for the best upfront cost.

This CIJ printer provides stable performance and reliability across a broad range of operating conditions.



## Uptime Advantage

- Leveraging proven and innovative technologies from Videojet legacy models
- Modular wear parts enable easy and reliable replacement by the customer, therefore reducing downtime
- Ability to connect to optional VideojetConnect™ Remote Service for direct access to our technical experts

## Code Assurance

- Tablet-like functionality enhances an operator's ability to learn the interface to reduce coding errors
- The SIMPLICiTY™ user interface greatly reduces operator printer interactions, helping to eliminate potential user errors through an intuitive, 8" touchscreen display
- User definable message rules can automate code content without need of operator interaction

## Simple Usability

- 8" touchscreen display is intuitive to the operator without the need for extensive training
- On-board 'How to' videos greatly reduce the need for having an operator manual to hand
- The SmartCell design allows for simple, user-performed preventative maintenance

## Built-in Productivity

- No mess, no waste, no mistake Videojet Smart Cartridge™
- Reduce waste and rework with the step-by-step guides in the easy-to-use operator interface
- Workflow modules expand functionality
- Automated message rules reduce operator interaction

# Videojet® 1240

## Continuous Inkjet

### Line speed capability

Can print 1 to 5 lines of print at speeds of up to 533fpm (162mpm)  
(10 characters per inch, single line of print)

### Font matrix configuration

Single-line: 5x5, 5x7, 5x7 Tower, 7x9, 9x12, 10x16, 16x24, 25x34  
Twin-line: 5x5, 5x7, 7x9, 9x12, 10x16  
Tri-line: 5x5, 5x7, 7x9  
Quad-line: 5x5, 5x7  
Five-line: 5x5

### Linear bar codes

UPC A&E; EAN 8 & 13; Code 128 A, B & C; UCC/EAN 128;  
Code 39; Interleaved 2 of 5; GS1

### QR codes

21x21, 25x25, 29x29, 33x33  
Error correction mode L, M, Q or H

### DataMatrix codes

Square Form up to 32x32; Rectangular Form up to 16x48

### Nominal character height

Selectable from 0.079" (2mm) to 0.40" (10mm), depending on font

### Throw distance

Optimal: 0.472" (12mm)  
Range: 0.197" (5mm) to 0.591" (15mm)

### User interface

8" high-response TFT-LCD touch screen  
WYSIWYG touch to edit message editing

### Custom logo/graphics

Can be created via optional CLARiSOFT™ software\*

### Character sets

Chinese, Russian/Bulgarian, Turkish/Scandinavian, Romanian, Greek, Arabic,  
Japanese/Kanji, Faroese, Hebrew, Icelandic, Korean, East European, European/American  
and Vietnamese

### Languages and interface options

English, Arabic, Bulgarian, Czech, Danish, Dutch, Finnish, French, German, Greek,  
Hebrew, Hungarian, Italian, Japanese, Korean, Norwegian, Polish, Portuguese, Russian,  
Simple Chinese, Spanish, Swedish, Thai, Traditional Chinese, Turkish and Vietnamese

### Input/output

Product detect input  
Encoder input  
Beacon (Alarm light) output  
Relay output  
USB 2.0 (2x)  
Ethernet LAN™

### Message storage

More than 250 complex messages

### Environmental protection

IP55 standard, no plant air required, stainless steel cabinet

### Printhead

Heated printhead  
Diameter: 1.63" (41.3mm)  
Length: 10.62" (269.8mm)

### Printhead umbilical

Ultra flexible  
Length: 6.56' (2m)  
Diameter: 0.91" (23mm)  
Bend radius: 4.0" (101.6mm)

### Fluids containers

Ink and Make-up Smart Cartridge™ 0.793 qt. (750ml)

### Temperature/humidity range

32°F to 122°F (0°C to 50°C)  
0% to 90% RH non-condensing  
*With selected inks; actual installation may require additional hardware  
based on production environment conditions*

### Electrical requirements

Nominal supply power 100-240 VAC at 50/60 Hz, 80W

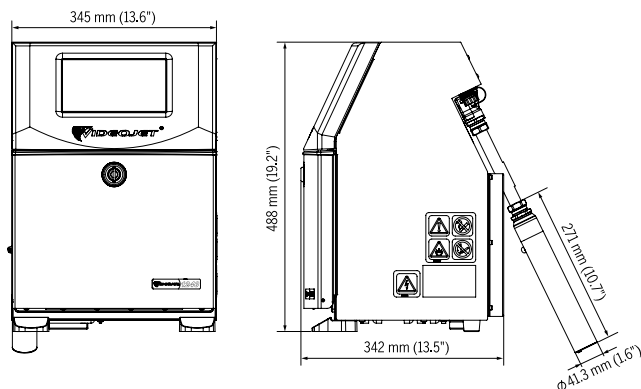
### Approximate weight

Unpacked and dry: 39.5lbs (17.9kg)

### Options

Dry air kit for high humidity (requires plant air)  
RS232 connector kit (USB to Serial DIN-5 male adapter)  
SIMPLiCiTY™ Workflow Modules  
Wide range of accessories

\* CLARiSOFT Package Coding Design software required for bar codes and other  
advanced functionality.



Call **+91 75063 45599**

Email **marketing.india@videojet.com**

or visit **www.videojet.in**

Videojet Technologies (I) Pvt Ltd  
Godrej Two, Unit no. 403 - A, 4th Floor,  
Pirojshanagar, Eastern Express Highway,  
Vikhroli East, Mumbai - 400079

© 2024 Videojet Technologies Inc. — All rights reserved.

Videojet Technologies Inc.'s policy is one of continued product improvement.  
We reserve the right to alter design and/or specifications without notice.

Part No. SL000683  
ss-1240-en-in-0324

